

# Stable Structures

Today we will be...

Designing and planning a  
stable structure.



We are going to design and make stable structures. What does stable mean?

**Back**

[www.planbee.com](http://www.planbee.com)

**Next**

A stable object or structure is one that isn't likely to fall over.



**Back**

**Next**

What do you notice about this toy car garage?

How many levels does it have?

Where could cars park?

How do cars get from one level to another?

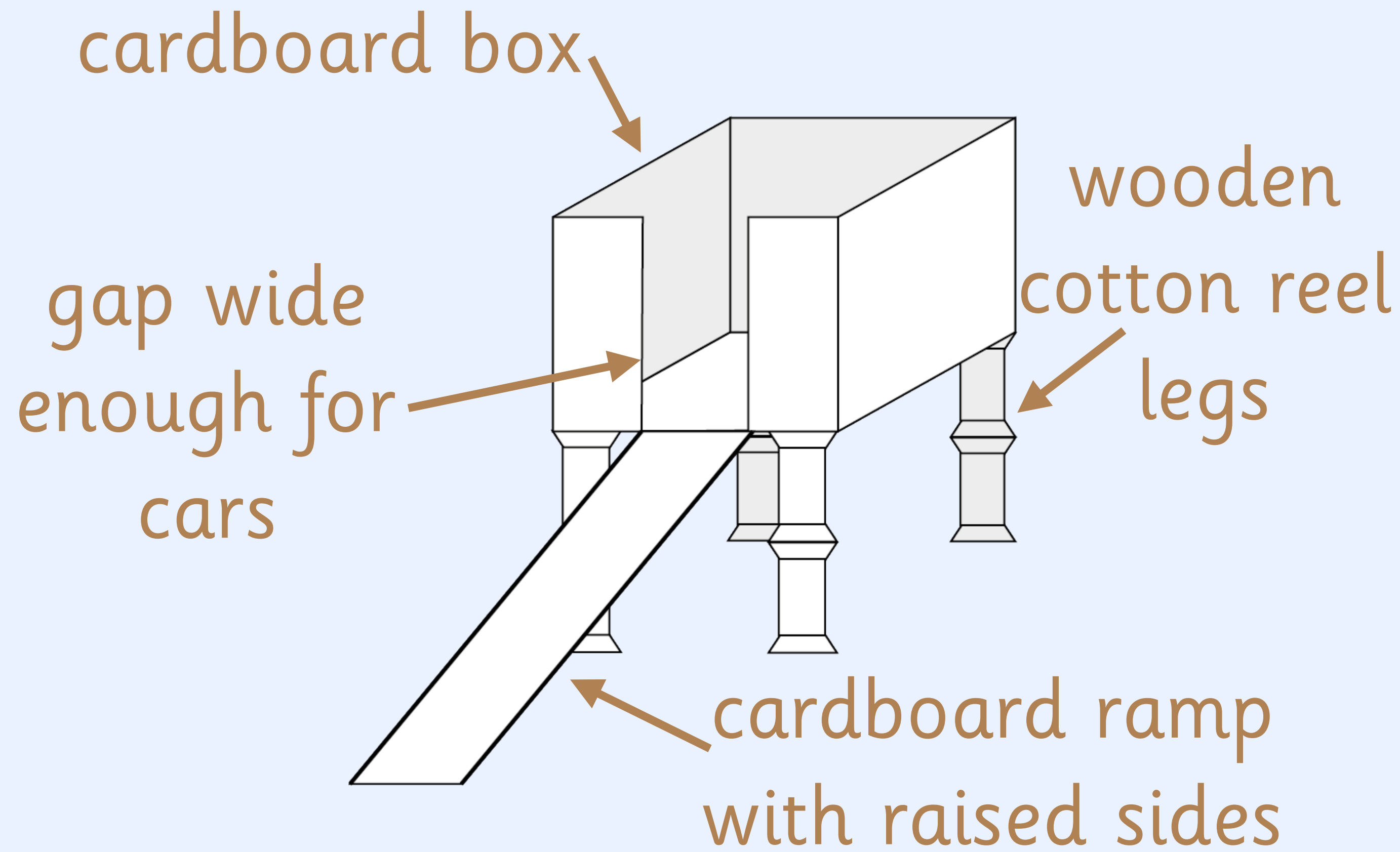


Does it look like it has any moving parts?

**Back**

**Next**

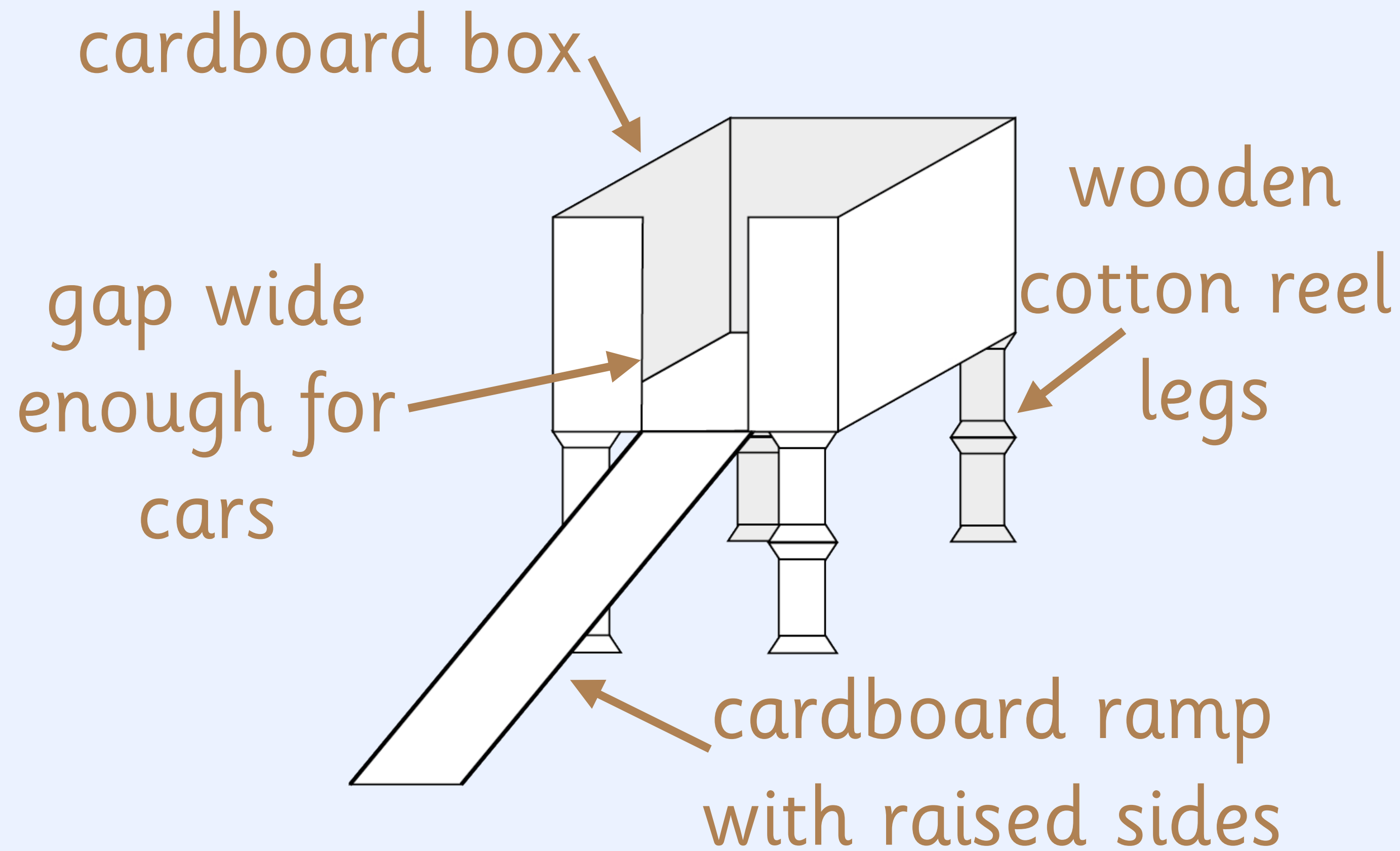
What is this? What do you notice about it?  
How much detail does it contain?



**Back**

**Next**

This is a design plan for a toy car garage. It contains important information needed to build the car garage. What information can you see?

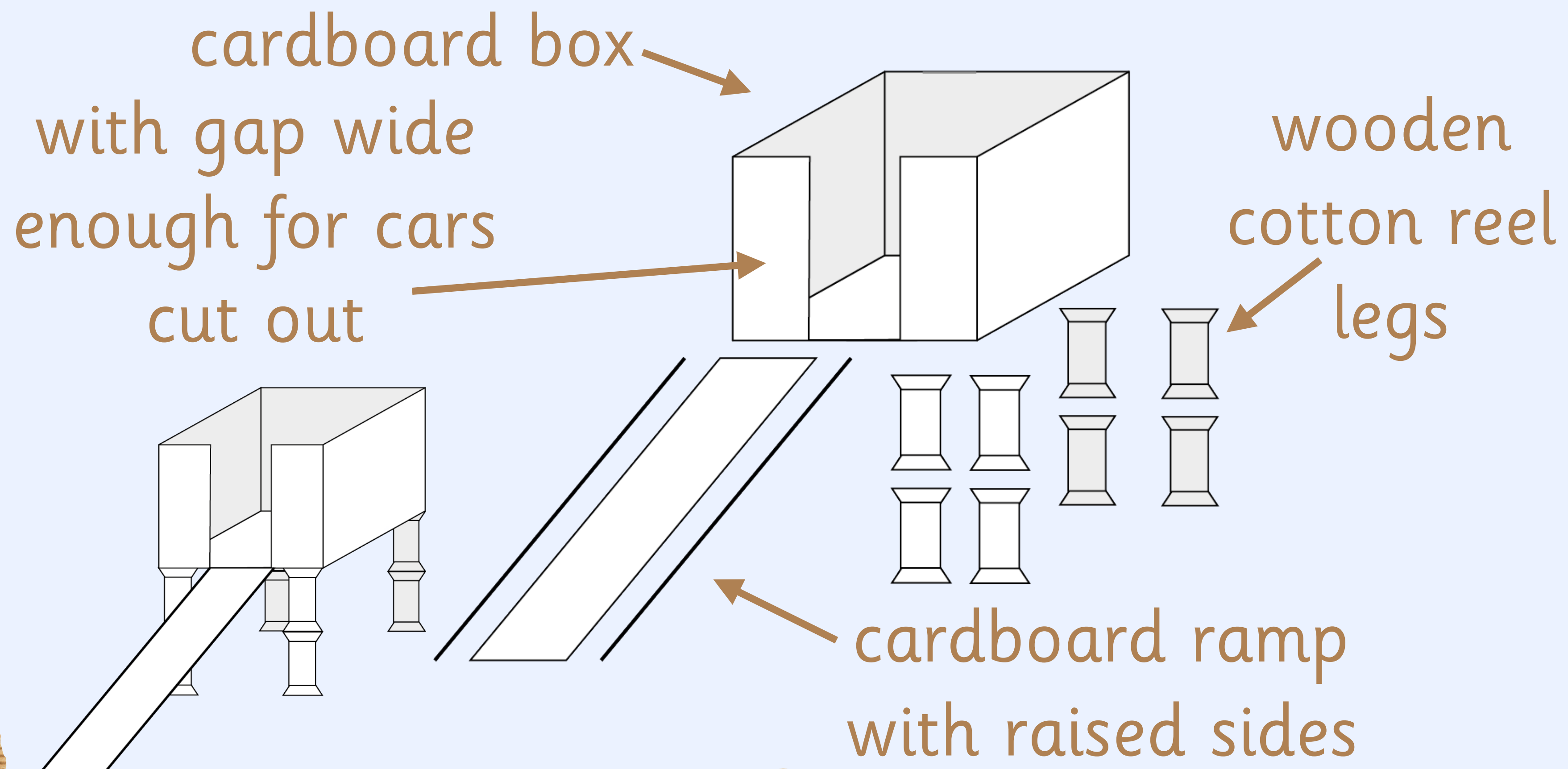
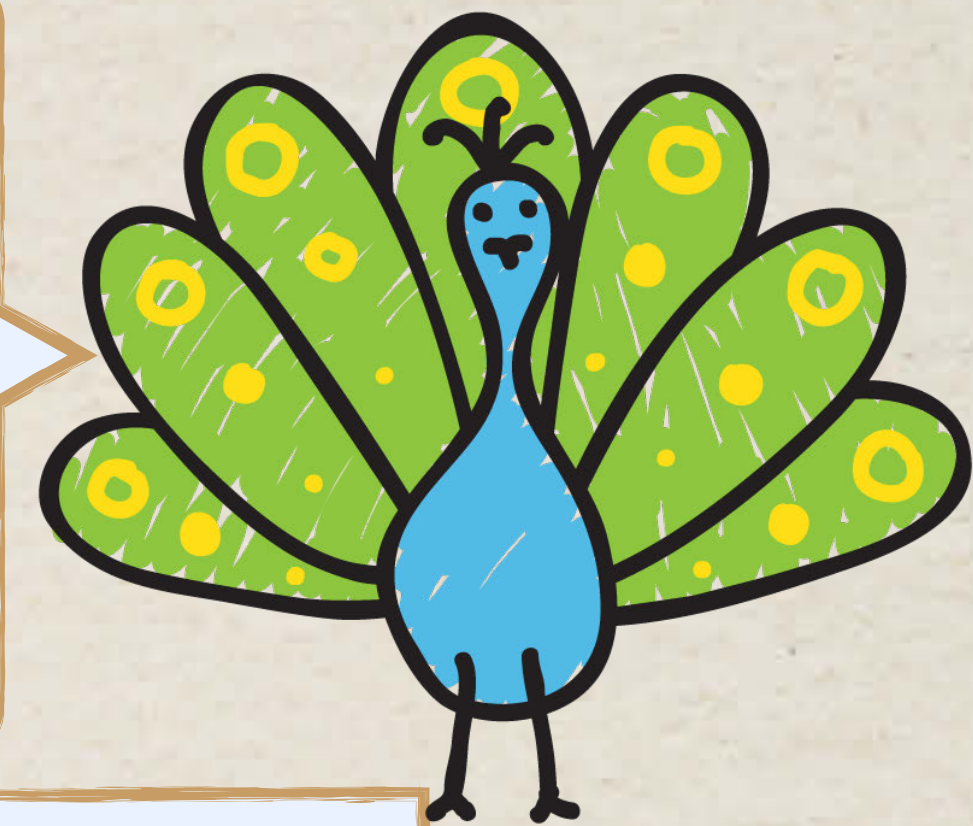


Why might the ramp need raised sides?

**Back**

**Next**

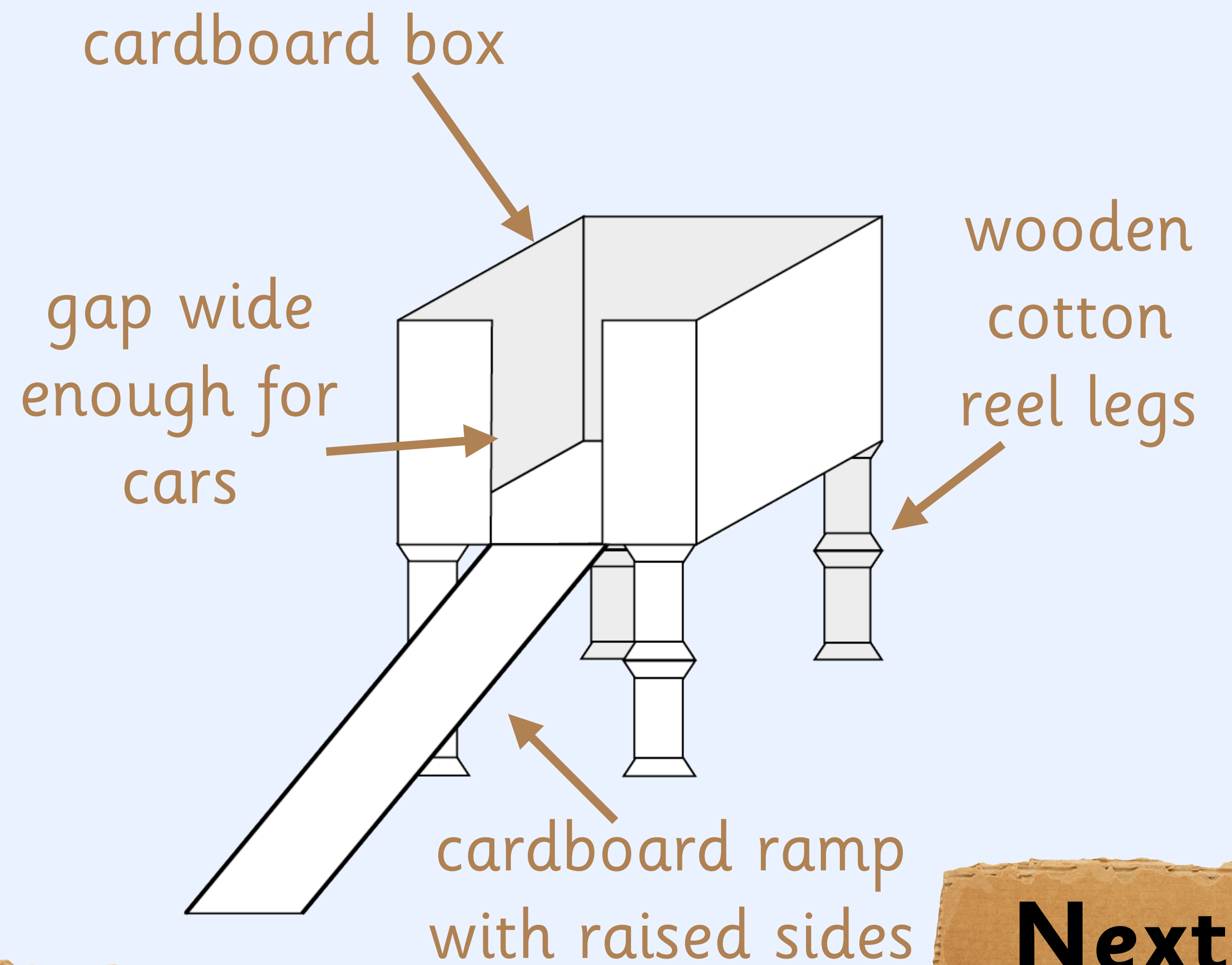
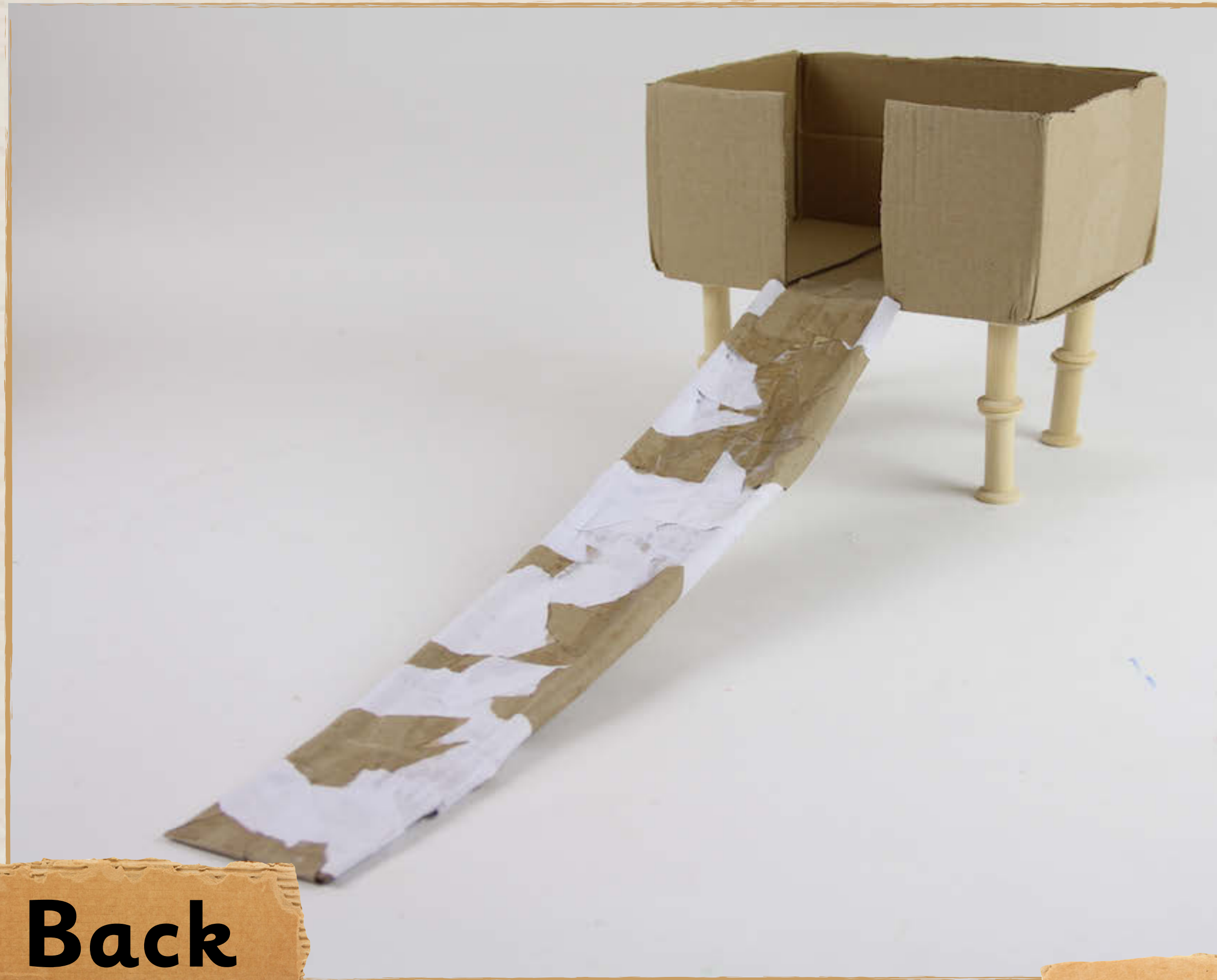
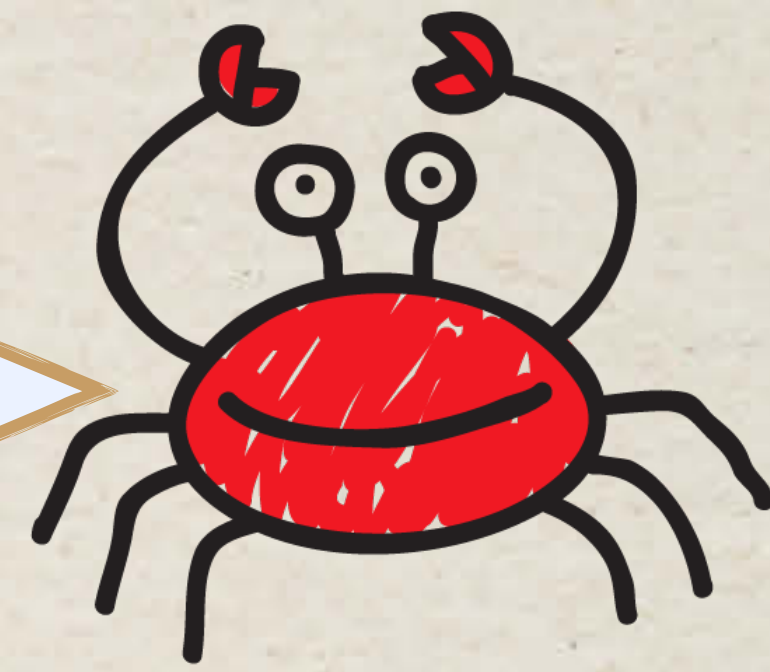
Did you spot the different sections of the car garage and how they fit together?



**Back**

**Next**

Do the photo and the plan look exactly the same? Explain your answer.



**Back**

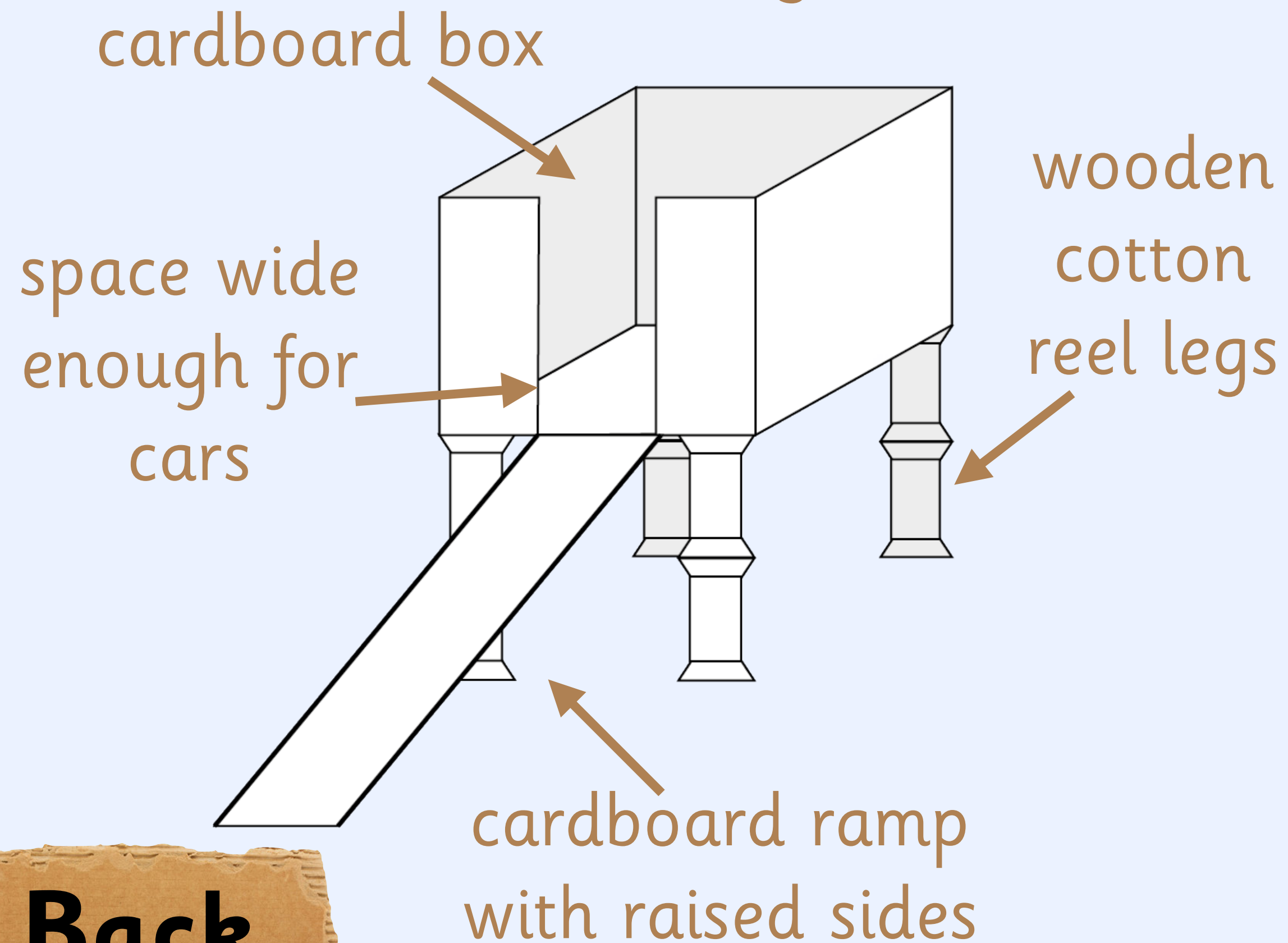
**Next**



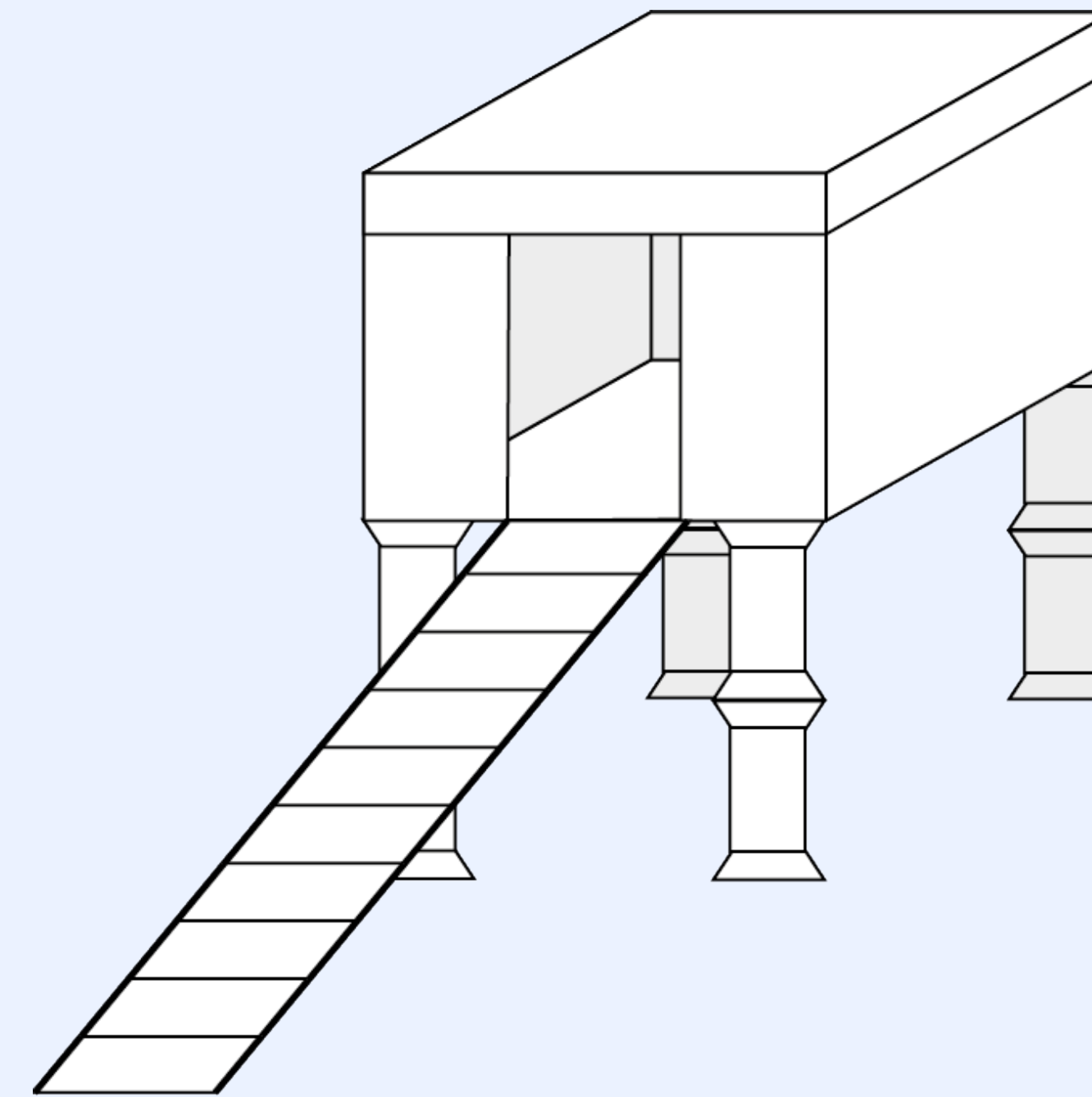
These structures can be easily adapted to change their purpose. Look at this design. How is it different from the simple car garage structure?



### Car Garage



### Animal Shelter



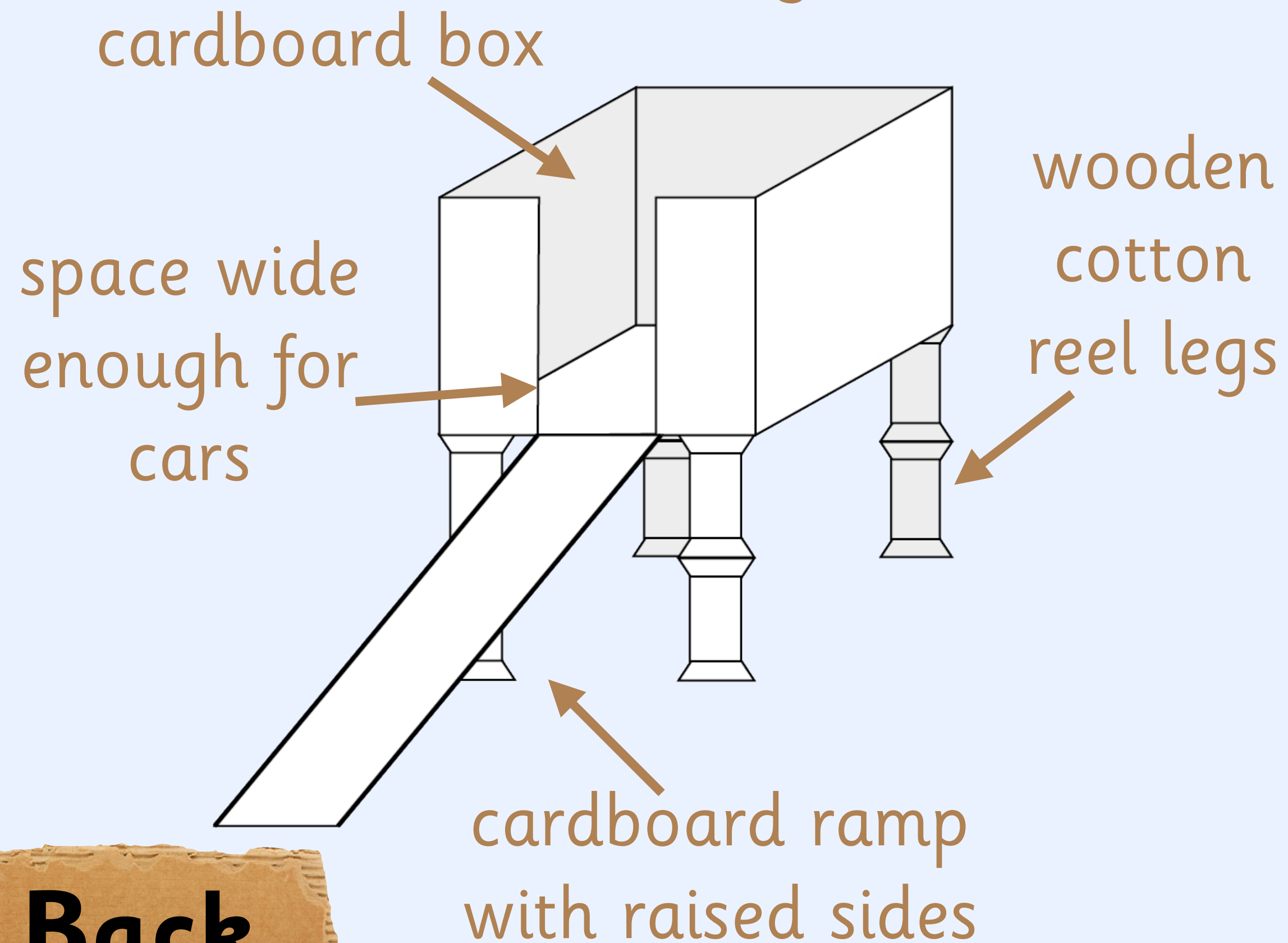
**Back**

**Next**

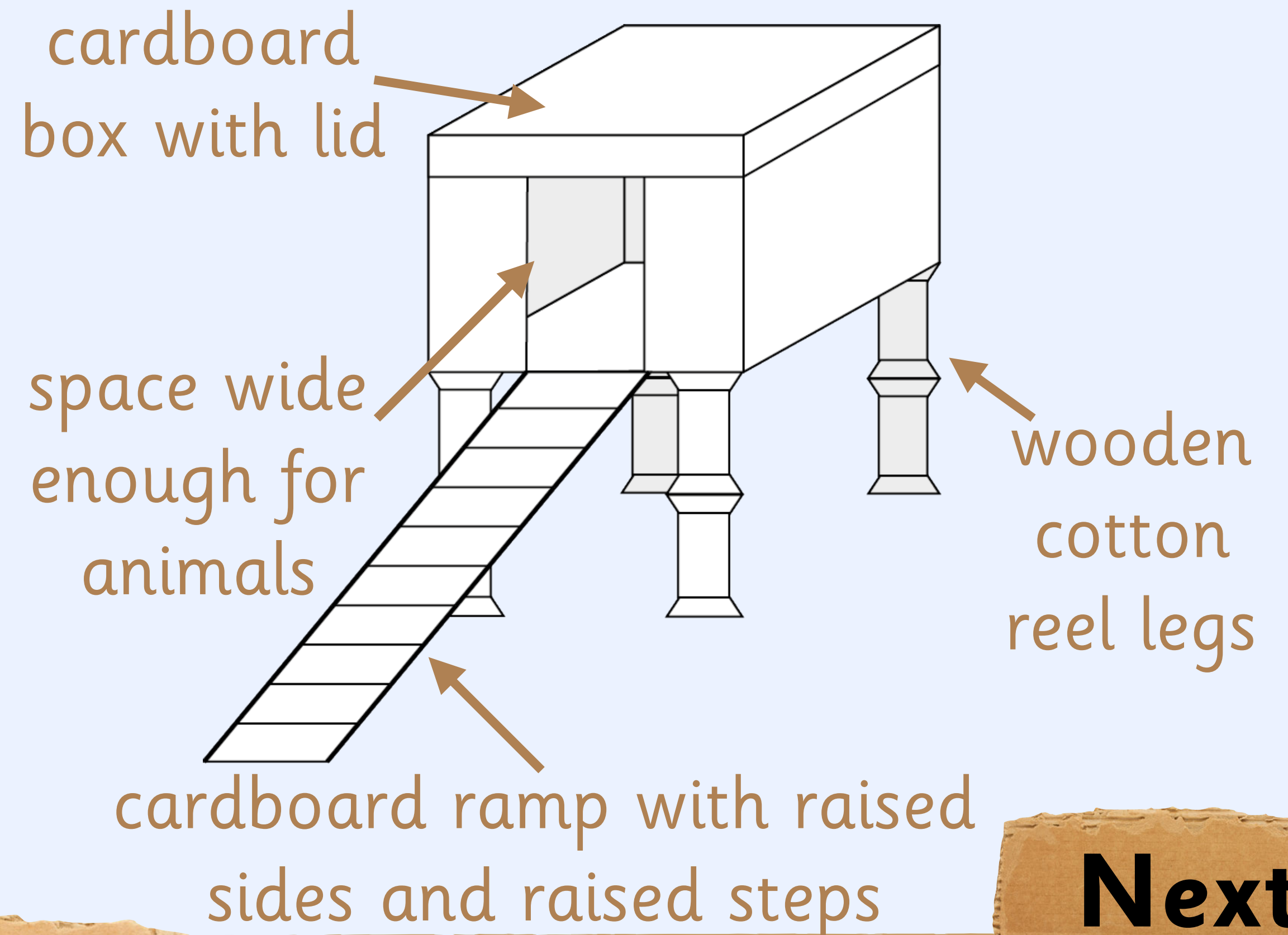
The designs are very similar. The small changes can have a big effect. How could you change the design to turn it into a penguin house or a viewing platform?



### Car Garage



### Animal Shelter



**Back**

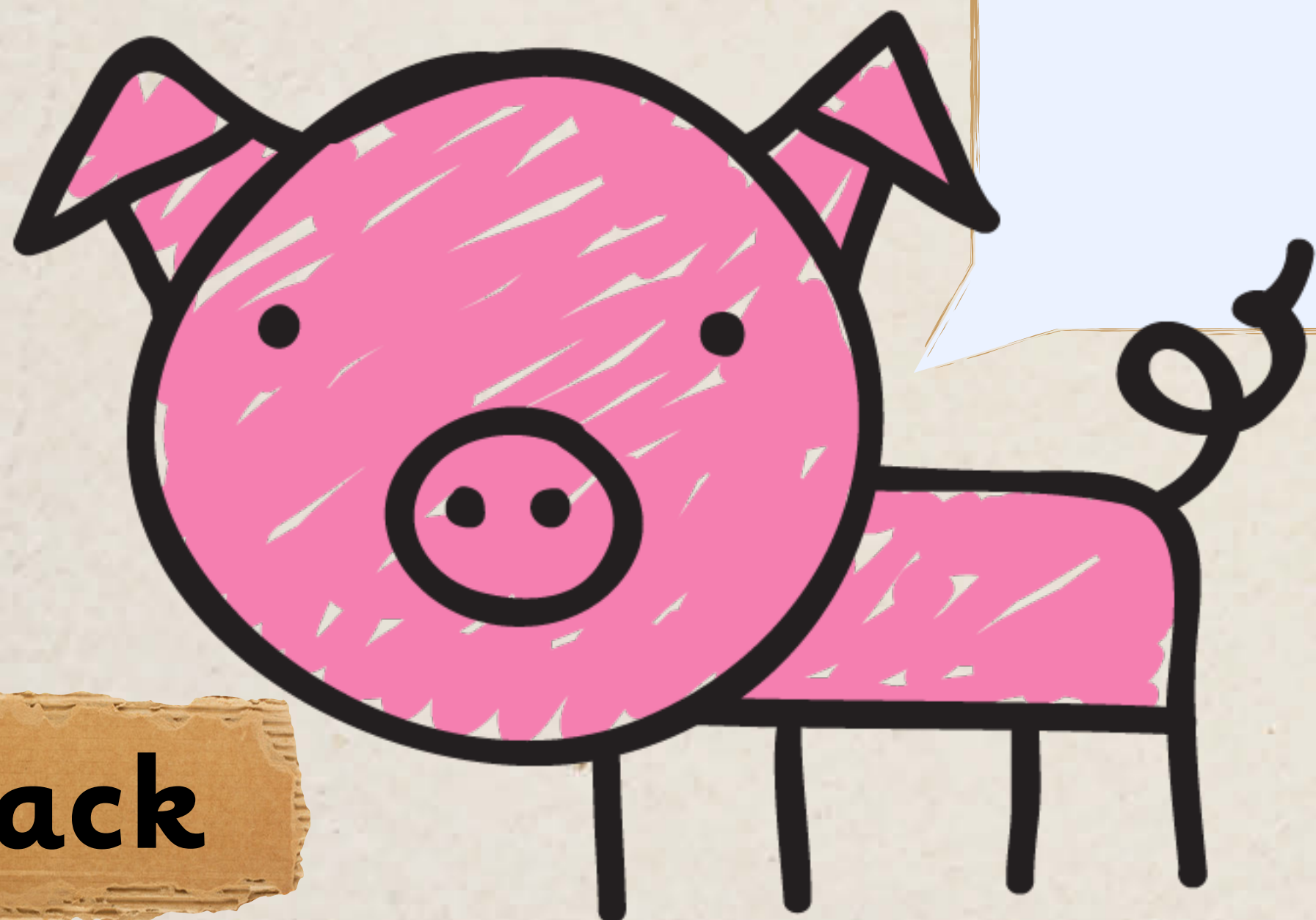
**Next**

Look at the paper mock-up of the car garage. What do you notice?

Does the design work?

Can this be our finished product?

Is paper a strong enough material to make the car garage with?



**Back**

**Next**