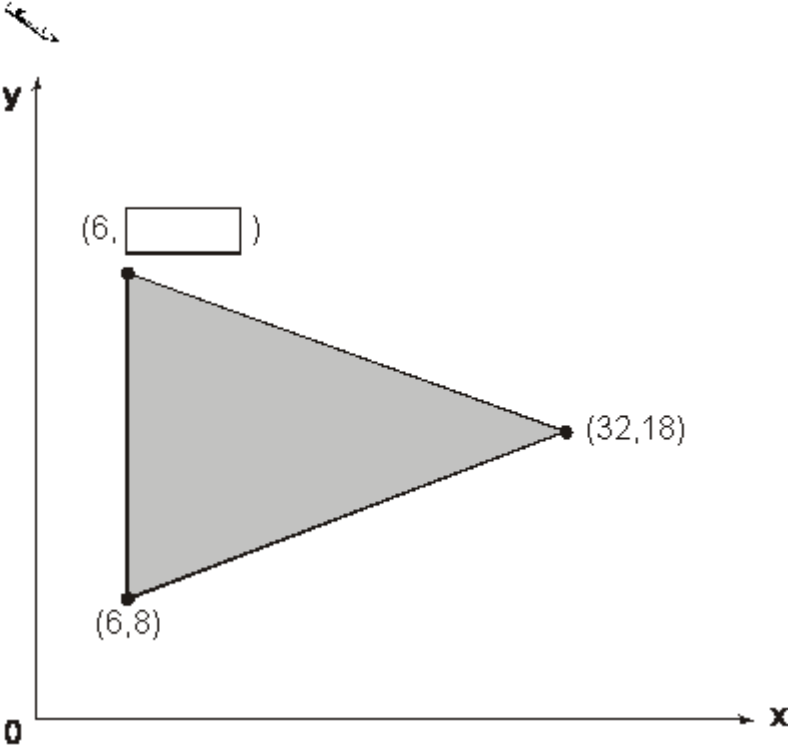


Gold

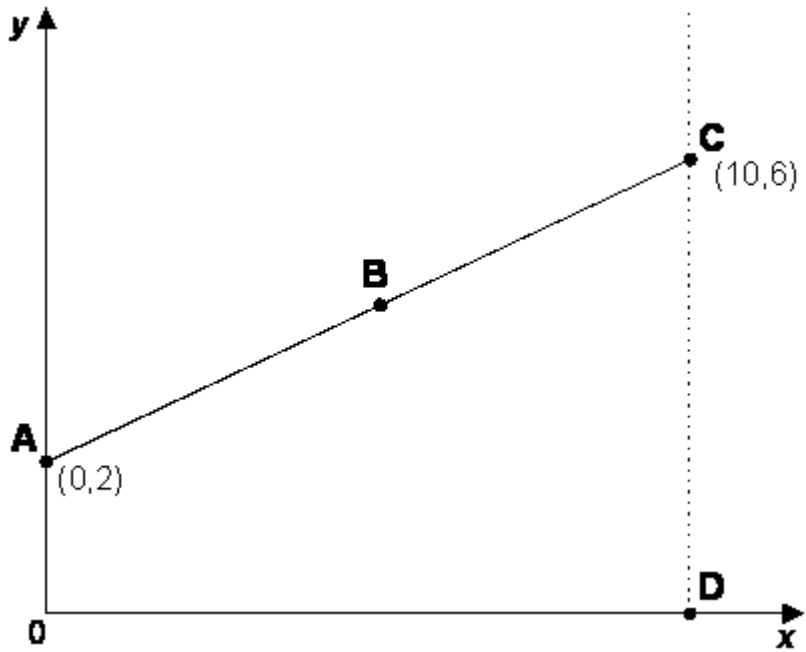
Q1. The shaded shape is an **isosceles** triangle.

Write in the missing co-ordinate.



1 mark

Q2. Here is a graph



The points **A**, **B** and **C** are **equally spaced**.

What are the **co-ordinates** of the **point B**?

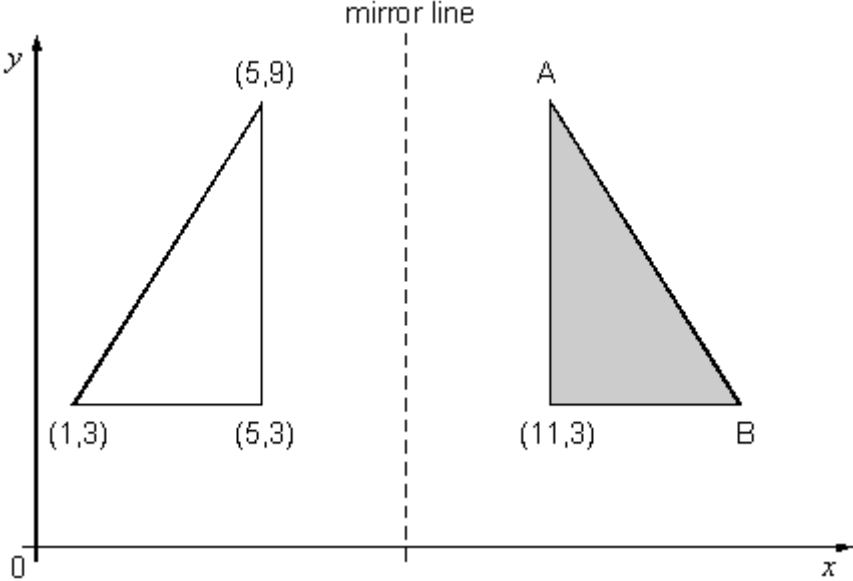
1 mark

Point **D** is directly below point **C**.

What are the **co-ordinates** of the **point D**?

1 mark

Q3. The shaded triangle is a reflection of the white triangle in the mirror line.

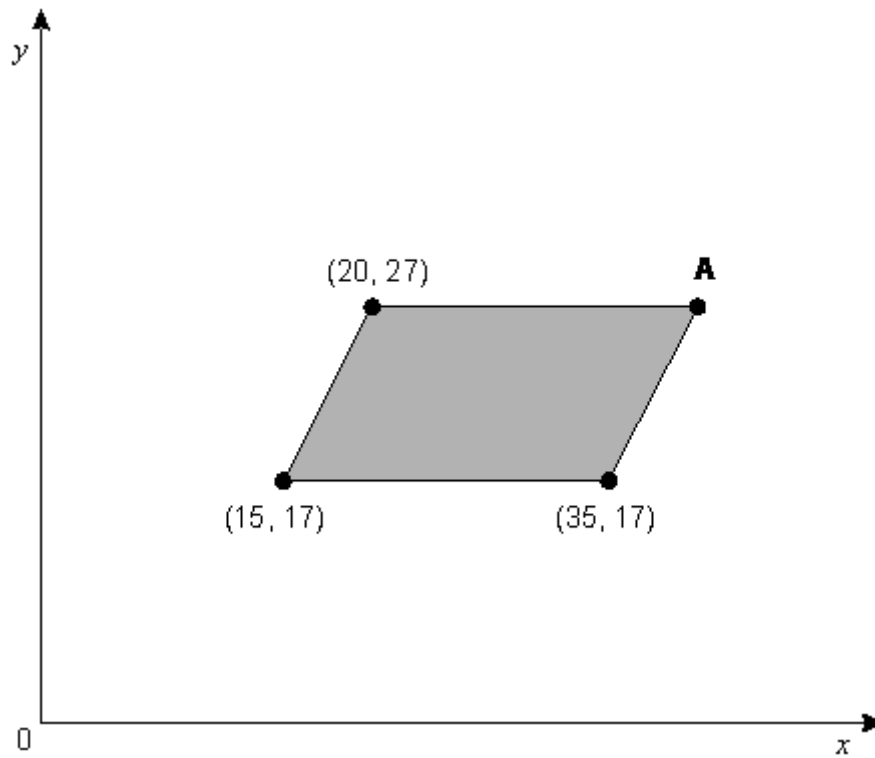


Write the **co-ordinates** of point **A** and point **B**.

A is B is

2 marks

Q4. The shaded shape is a parallelogram.

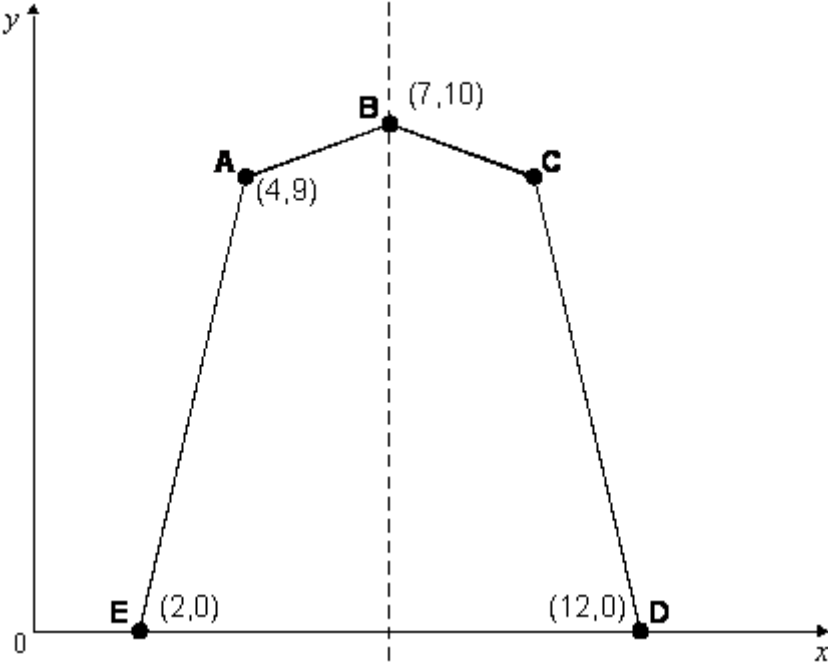


Write in the coordinates of point **A**.

1 mark

Q5. Here is a pentagon drawn on a coordinate grid.

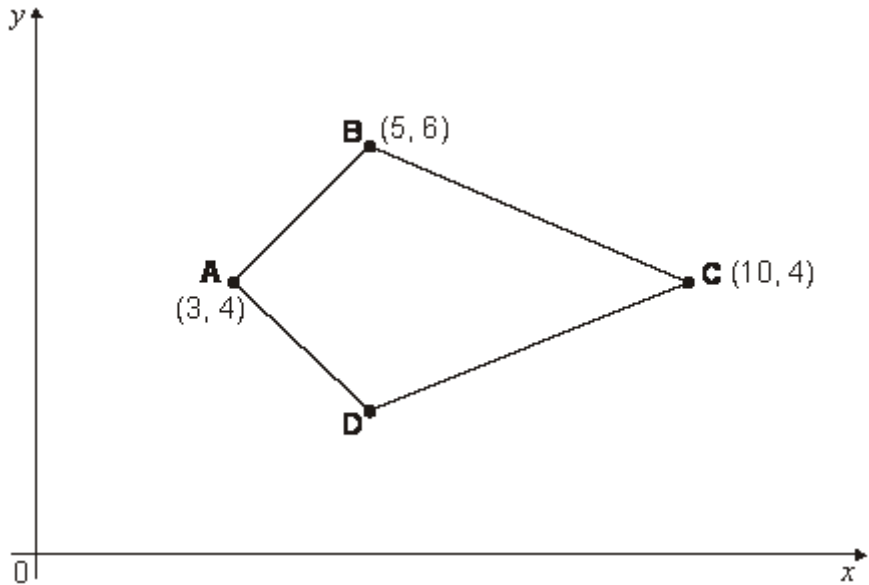
The pentagon is symmetrical.



What are the coordinates of point C?

1 mark

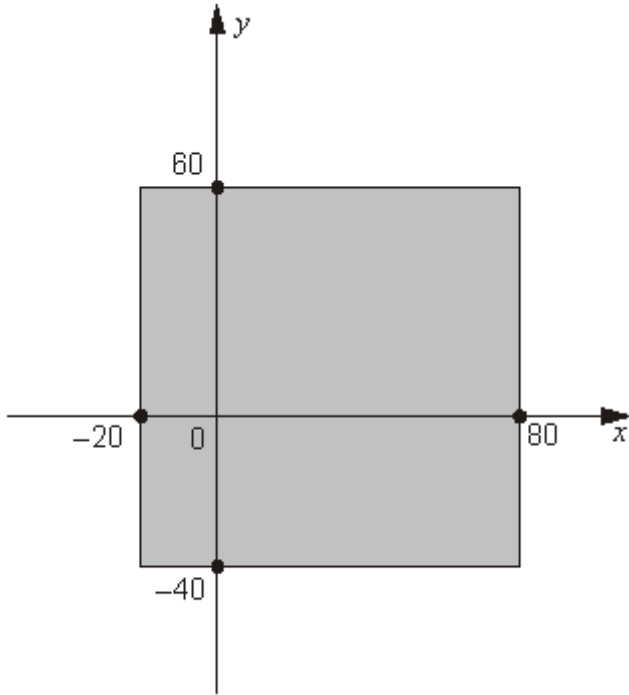
Q6. Here is a kite.



Write the coordinates of point D.

1 mark

Q7. Here is a shaded square on x and y axes.



For each of these points, put a tick (✓) to show if it is inside the square or outside the square.

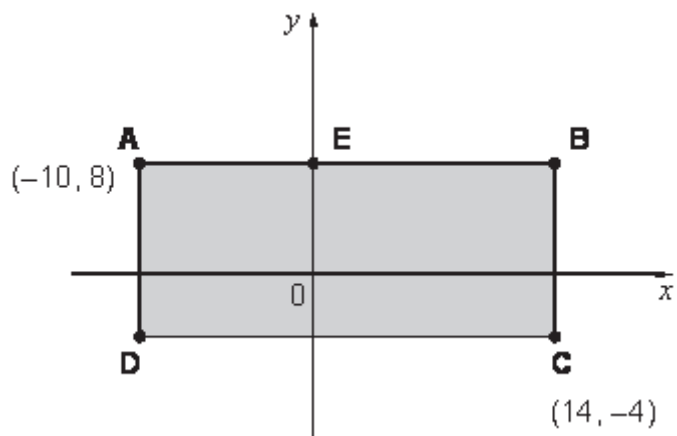
Handwritten mark

	inside the square	outside the square
(50, 70)	<input type="checkbox"/>	<input type="checkbox"/>
(60, -30)	<input type="checkbox"/>	<input type="checkbox"/>
(-10, 50)	<input type="checkbox"/>	<input type="checkbox"/>
(-30, -30)	<input type="checkbox"/>	<input type="checkbox"/>

2 marks

Q8. **ABCD** is a rectangle drawn on coordinate axes.

The sides of the rectangle are parallel to the axes.



What are the coordinates of **D** and **E**?

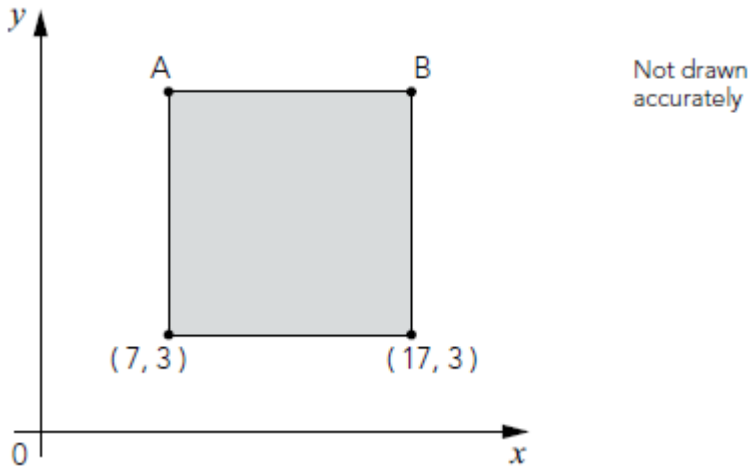
Handwritten mark **D** is

1 mark


Handwritten mark **E** is

1 mark

Q9. The shaded shape is a **square**.

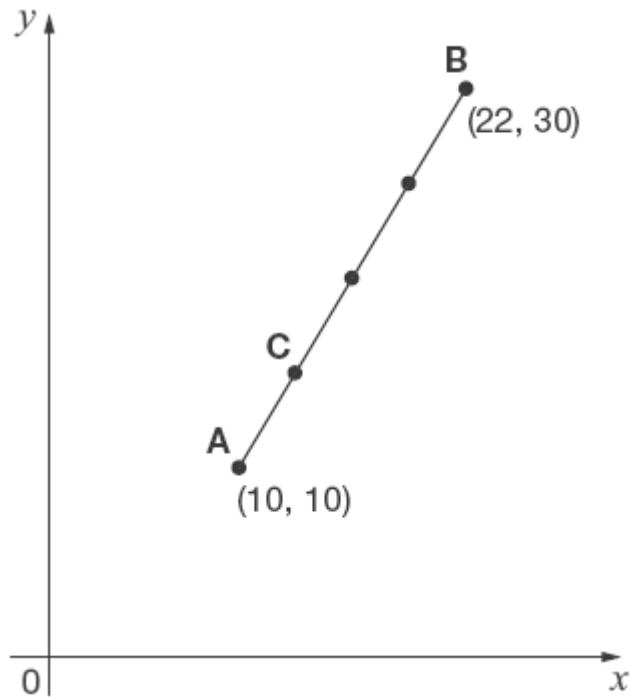


What are the coordinates of A and B?

 A (.....,) B (.....,)

2 marks

Q10. A and B are joined by a straight line on coordinate axes.



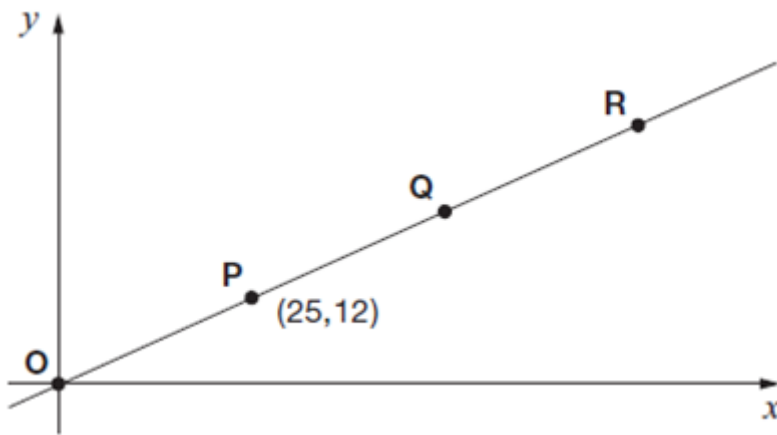
The dots on the line are equally spaced.

What are the coordinates of **C**?

 **C** is

2 marks

Q11. Here is a line on coordinate axes.



Points **O**, **P**, **Q** and **R** are equally spaced.

The coordinates of **P** are (25,12).

What are the coordinates of **R**?

R =

1 mark