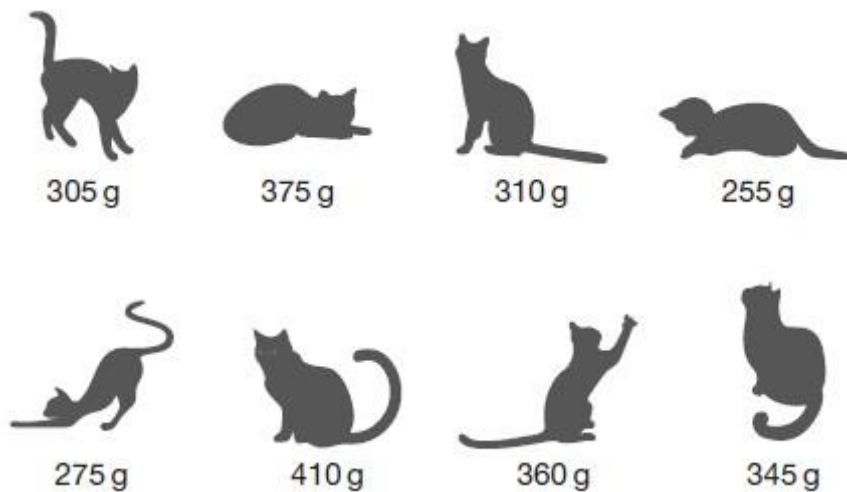


Q1.

This picture shows the masses of eight kittens.



What is the **difference** in mass between the heaviest kitten and the lightest kitten?

g

1 mark

The masses of the kittens are to be put in four groups.

Write the missing numbers in the table.

One has been done for you.

Mass in g	Number of kittens
250-299	
300-349	
350-399	
400-449	1

1 mark

Q2.

Circle the approximate measurement.

The length of a banana is about ...

2 cm 20 cm 2 mm 2 m 20 m

The mass of an apple is about ...

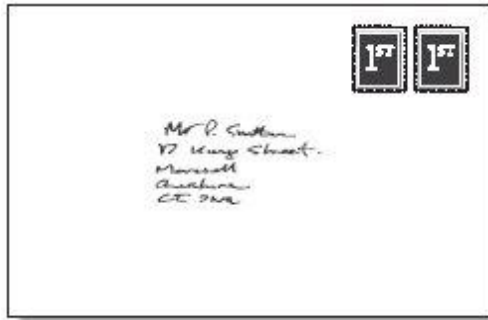
2 g 20 kg 200 kg 200 g 2 kg

A glass of fruit juice is about ...

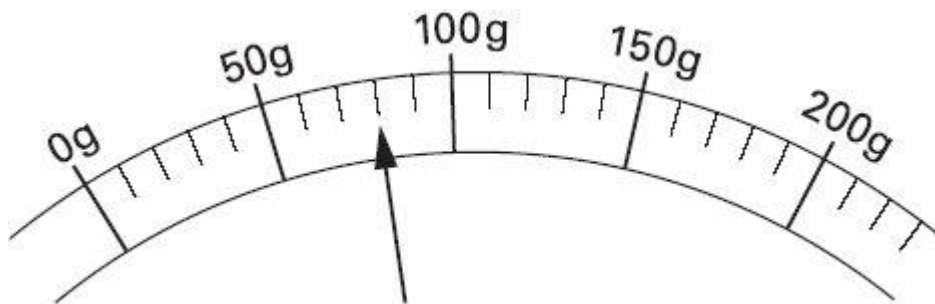
2 ml 2 l 20 ml 200 ml 20 l

2 marks

Q3.



Here is a scale which shows the weight of a letter.



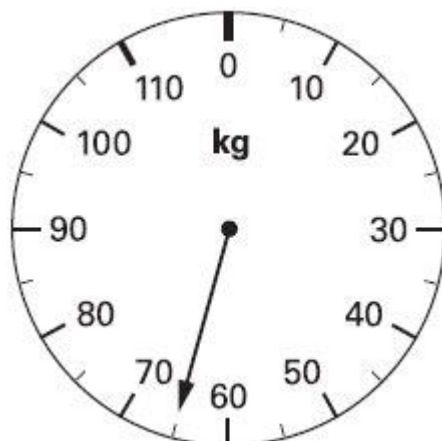
How much does the letter weigh?

 g

1 mark

Q4.

This scale shows how much Mrs Patel weighs.

 kg

How much does Mrs Patel weigh?

1 mark

Q5

Two of these sentences could be true.

Tick (✓) the **two** sentences that could be true.

Adam's pencil is **12 centimetres** long.

Leah is **12 metres** tall.

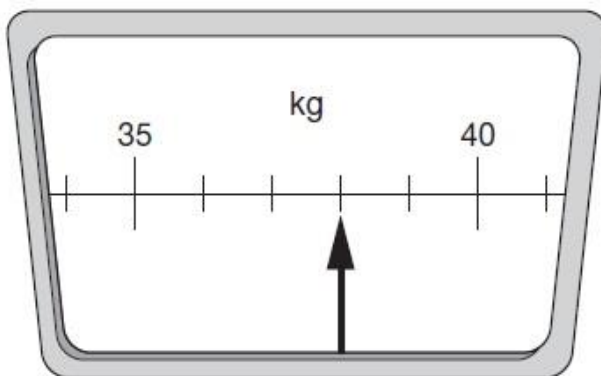
Jake's glass holds **12 litres** of milk.

Kate's younger sister weighs **12 kilograms**.

1 mark

Q6.

This scale shows how much Chen weighs.



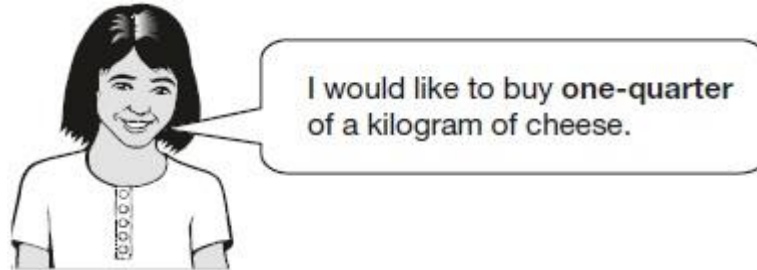
How much does Chen weigh?

1 mark

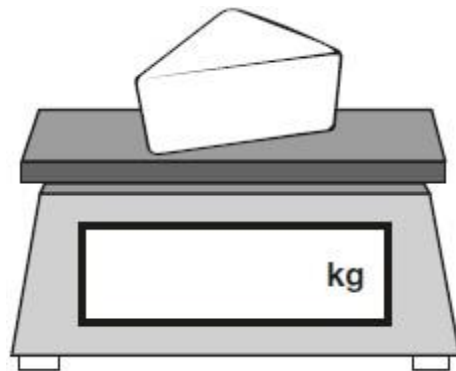
Q8.

Amina is shopping.

She says,



Write one-quarter on the scales as a decimal.



1 mark

The cheese costs £1.35

Amina pays with a £2 coin.

How much change should Amina get?

1 mark

Q9.

One gram of gold costs £32.94

What is the cost of **half a kilogram** of gold?

Show your method

£

2 marks

Q10.

Chen and Megan each have a parcel.

Chen's parcel weighs $1\frac{1}{2}$ kg.

Megan's parcel weighs 1.2 kg

How many more **grams** does Chen's parcel weigh than Megan's parcel?

Show your method

g

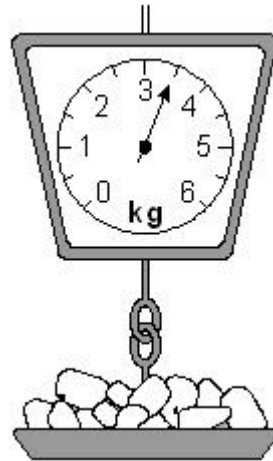
2 marks

Q13.

This table shows the weight of some fruits and vegetables.

Complete the table.

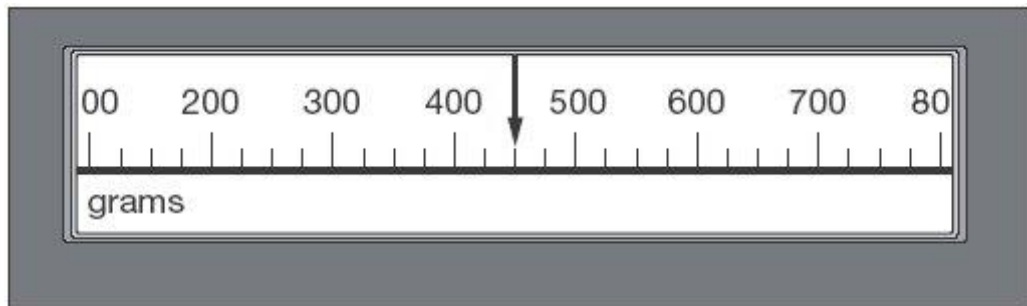
	grams	kilograms
potatoes	3500	3.5
apples		1.2
grapes	3500	
ginger		0.03



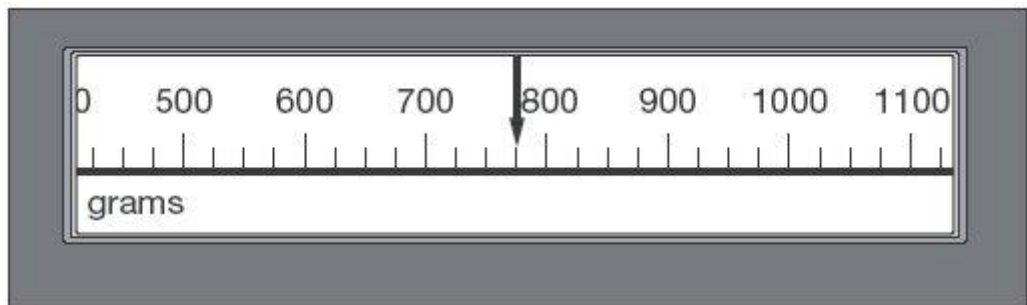
2 marks

Q14.

This scale shows the mass of Amy's kitten when it was one month old.



This scale shows the mass of the kitten when it was two months old.



What is the increase in mass?

g

1 mark

