

Can I read and write Roman numerals?

Year 3 and 4, Monday 25th January 2021

Watch the video

- <https://vimeo.com/460274137>
- Now complete the questions on the next slides

Roman numerals

1 Match the numbers to the Roman numerals.

1
5
10
50
100

L
C
V
X
I

2 Write each number in Roman numerals.

a) 7 d) 55 g) 17

b) 12 e) 72 h) 41

c) 23 f) 89 i) 27

3 Eva lives in this house.



What number does Eva live at?

Eva lives at number

4 Jack rolls two 6-sided dice.



What is Jack's total score?

Alex rolls the same 2 dice and gets two different numbers.

Her score is the same as Jack's.

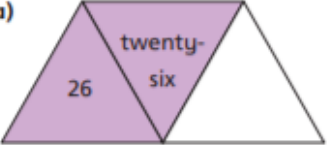

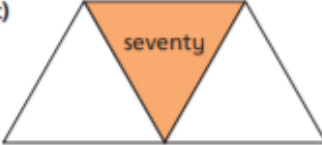
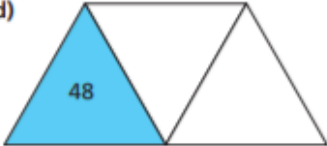
What numbers could Alex have rolled?

and








5 Write the Roman numeral in numerals and words.

- a) XXIV _____
- b) LXXI _____
- c) LXVIII _____
- d) XCVI _____
- e) XXVIII _____
- f) XCI _____

6 Each diagram should show a number in numerals, words and Roman numerals. Complete the diagrams.

- a) 
- b) 
- c) 
- d) 

7 Complete the function machines.

- a) 
- b) 
- c) 
- d) 
- e) 
- f) 
- g) 

8 Complete the calculation.

$$XXIX + \boxed{} = LXI + \boxed{}$$

How many other calculations can you write that give the same total?

Compare your answers with a partner.



Lightbulb task – use an ACE answer

Answer Calculate Explain

True or False ?

Roman Numerals to 100

XXXXVIII is 49 in
Roman Numerals.

ANSWER sheets

- Please check your answers using the answer sheets on the next slide.
- If you have made a mistake, can you explain what you did wrong and what you should have done instead?

Question	Answer
1	
2	a) VII d) LV g) XVII b) XII e) LXXII h) XLI c) XXIII f) LXXXIX i) XXVII
3	Eva lives at number 24
4	7 Alex could have rolled 1 and 6 (I and VI) or 3 and 4 (III and IV) in any order.
5	a) 24 twenty-four b) 71 seventy-one c) 68 sixty-eight d) 96 ninety-six e) 28 twenty-eight f) 91 ninety-one
6	a) XXVI b) 13 thirteen c) 70 LXX d) forty-eight XLVIII
7	a) LXII b) LXXI c) XXVII d) LXXIV e) LVIII f) IV g) LXXXVII
8	Multiple possible answers, e.g. XXIX + XLI = LXI + IX

ACE answer lightbulb task

True or False?

Roman Numerals to 100

Answer

False

Calculation

49 in Roman Numerals is XLIX

Explanation