



THIRD SPACE  
LEARNING

# Perimeter and Area

To know how to calculate perimeter  
from given information



To know how to calculate perimeter from given information

**Key Vocabulary:**

Composite shape
Composite rectilinear shape
Composite shape

**Sentence Stems:**

A rectilinear shape is a shape where all the sides meet at right angles.

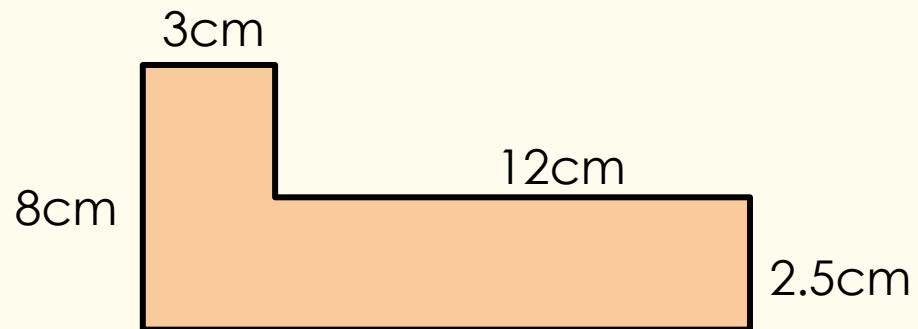
The perimeter is the distance around a 2-D shape.



To know how to calculate perimeter from given information

**In Focus:**

**What is the perimeter of this shape?**



**A** 25.5cm

**C** 51cm

**B** 40.5cm

**D** 46cm



THIRD SPACE  
LEARNING

# To know how to calculate perimeter from given information

## Success Criteria

- I can find missing lengths in a composite rectilinear shape
- I can calculate the perimeter of a composite rectilinear shape
- I can draw shapes with a given perimeter

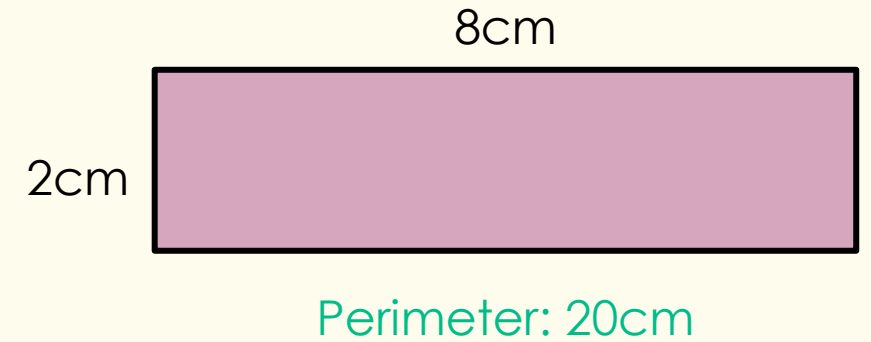
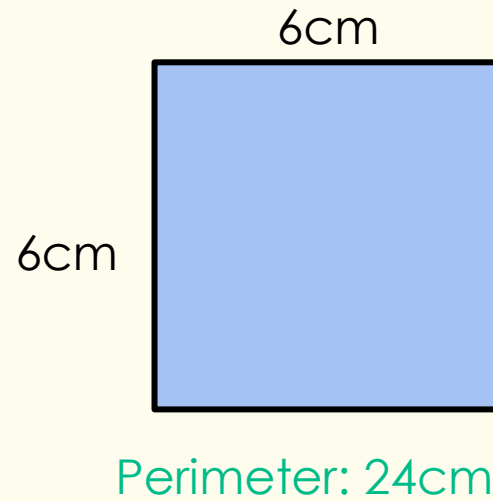
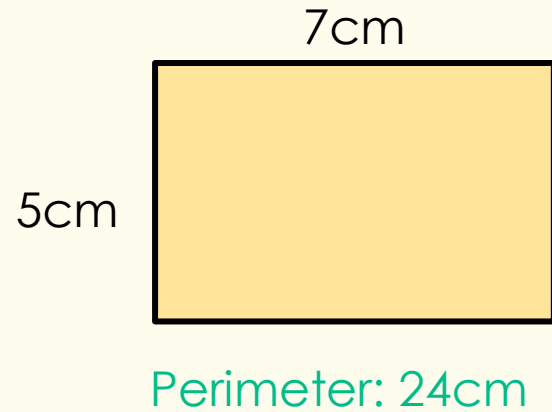


To know how to calculate perimeter from given information

**Starter:**

**Which of the rectangles is the odd one out?**

Prove your answer is correct.

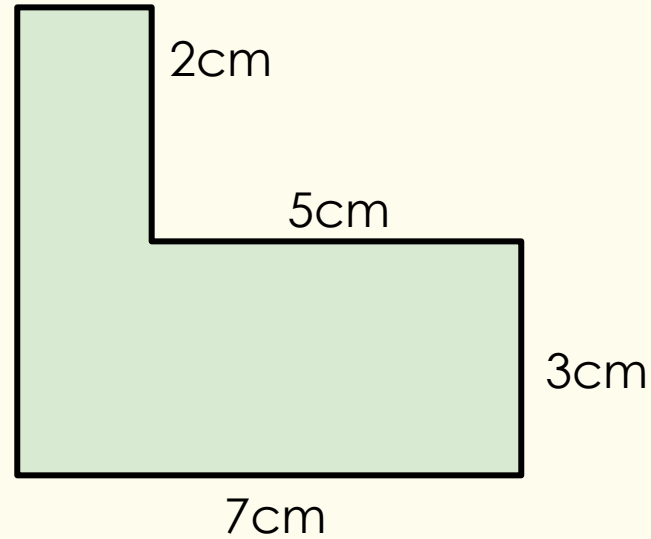


Answers



To know how to calculate perimeter from given information

Explain **how** to find the perimeter of these shapes.



First you need to find the missing lengths, then you can calculate the perimeter.

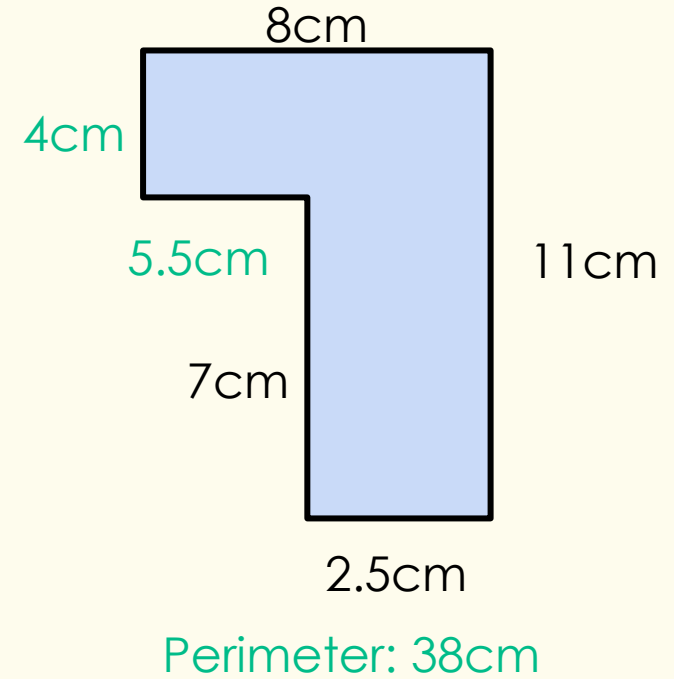
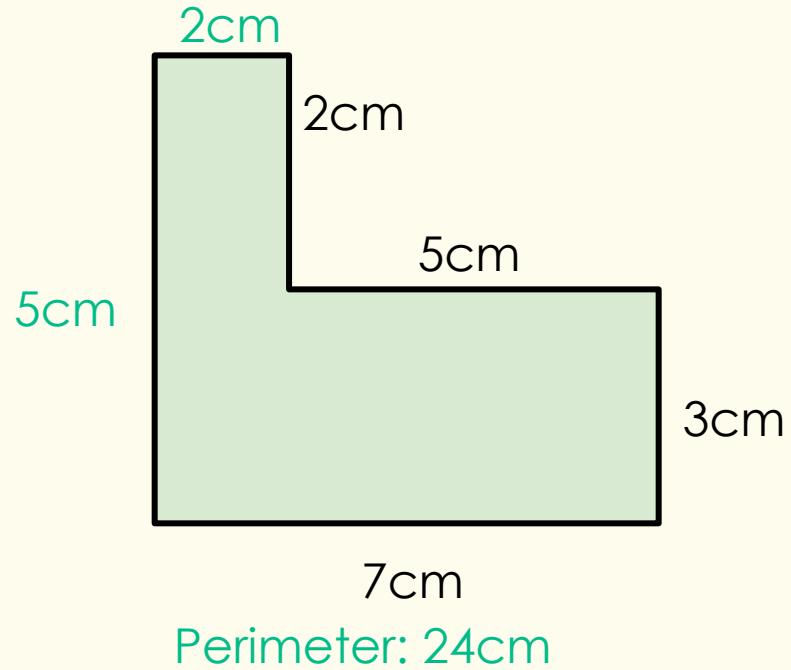
Answers



To know how to calculate perimeter from given information

**Guided Practice:**

**Calculate the perimeters of these shapes.**

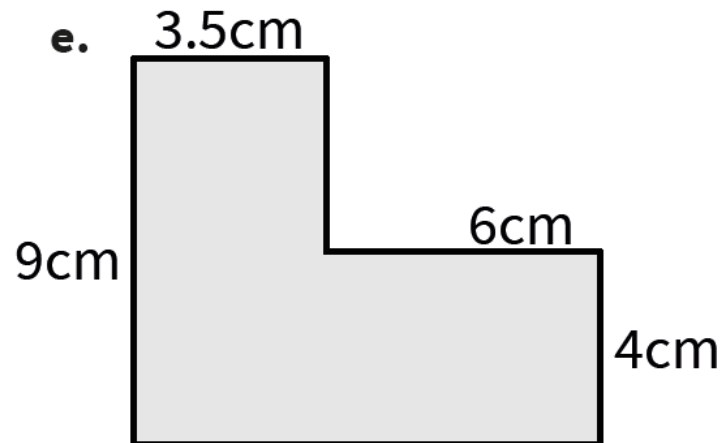
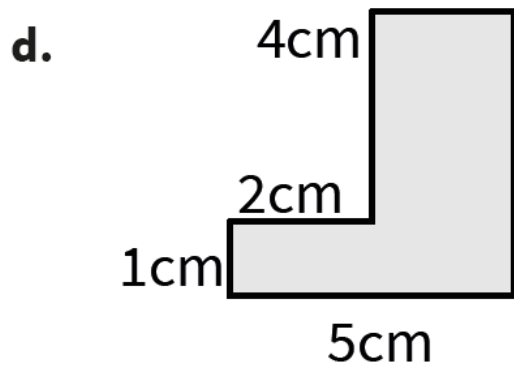
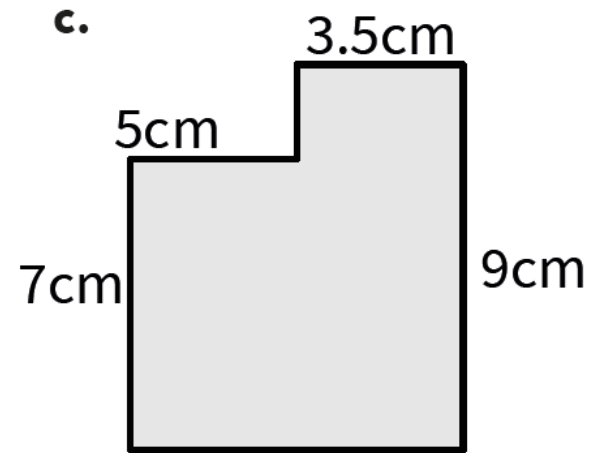
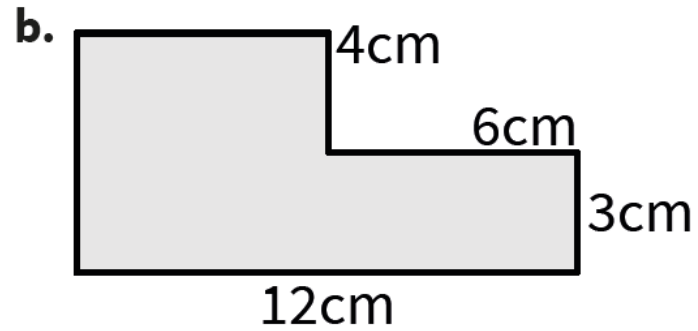
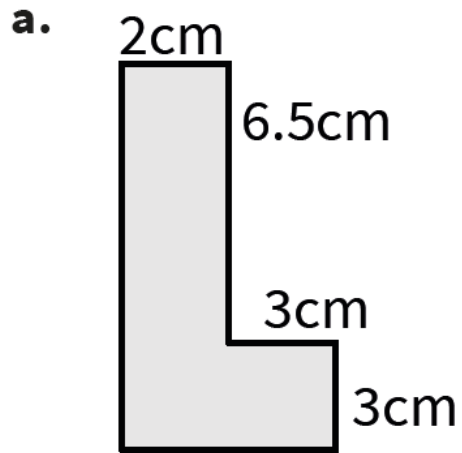


Answers

To know how to calculate perimeter from given information

**Independent Practice:**

1. Find the perimeters of these shapes.

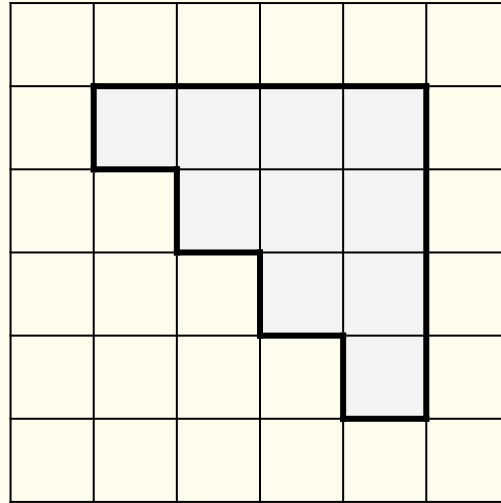




To know how to calculate perimeter from given information

**Guided Practice:**

The astronaut is given this information about a shape.



Each square has an area of  $9\text{cm}^2$ .



They say, "Each square is  $9\text{cm}$  by  $9\text{cm}$ . The perimeter is  $144\text{cm}$ ."

**Do you agree?**

If the area of each square is  $9\text{cm}^2$ , each square will measure  $3\text{cm}$  by  $3\text{cm}$ .

The perimeter will therefore be  $48\text{cm}$ .

Answers

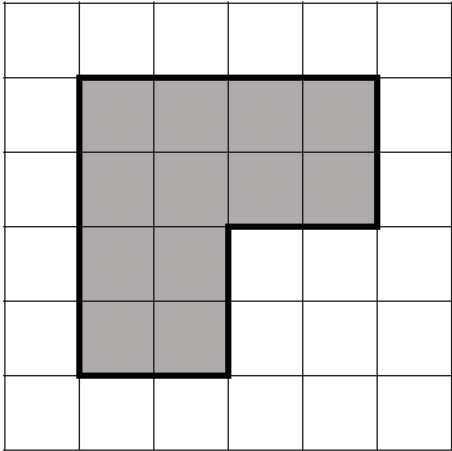
# To know how to calculate perimeter from given information

## Independent Practice:

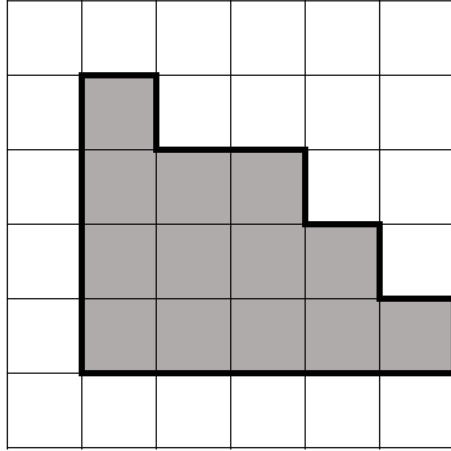
2. Use the information given to find the perimeter of the shape.

Each square measures 4cm by 4cm.

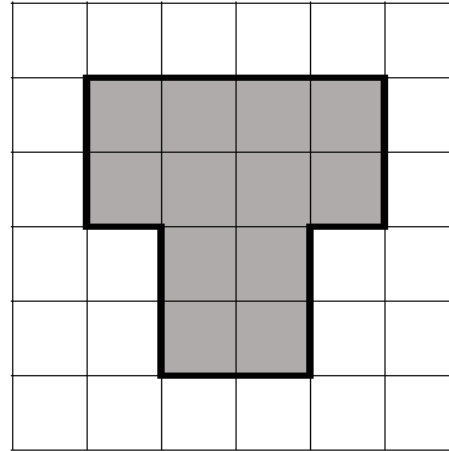
a.



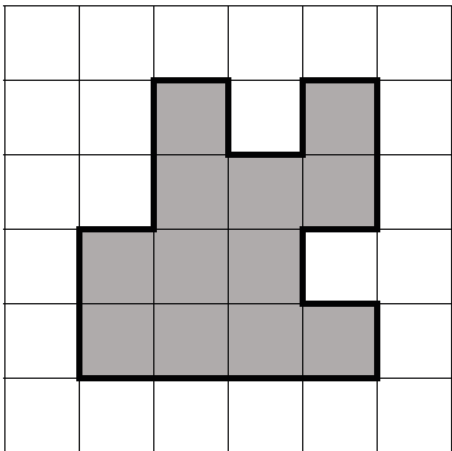
b.



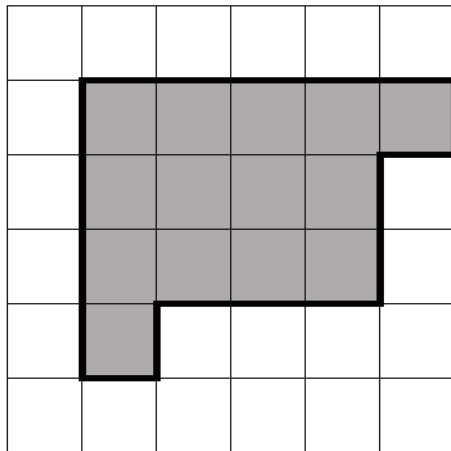
c.



d.



d.



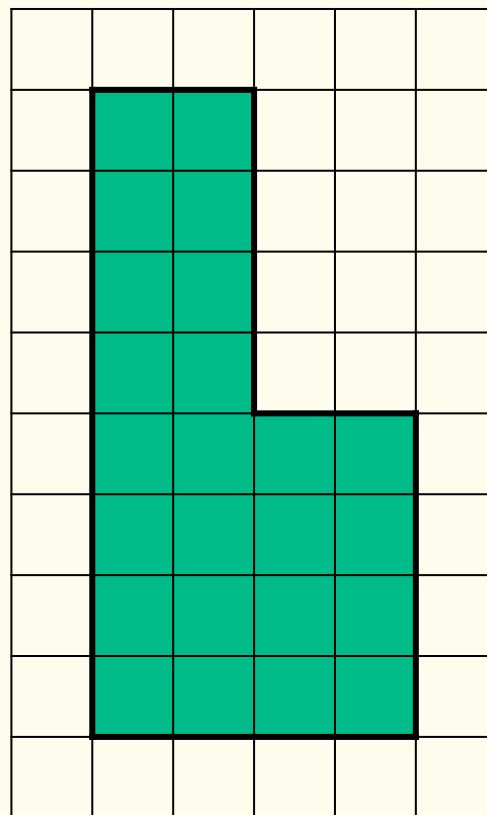
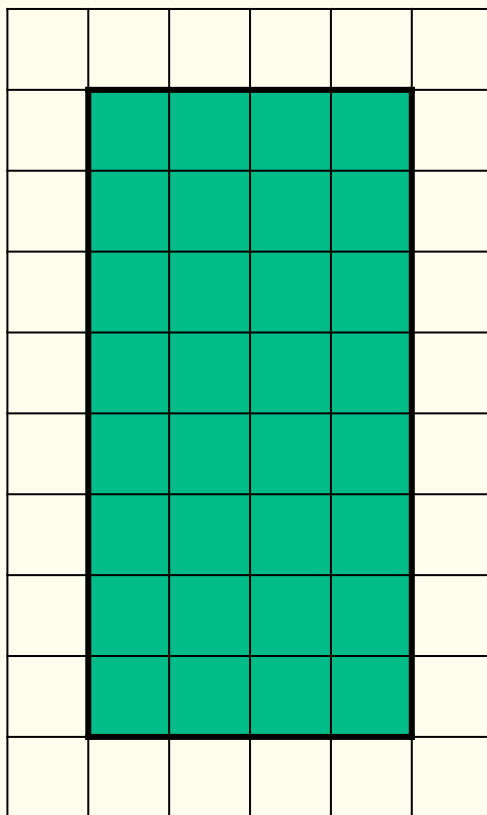
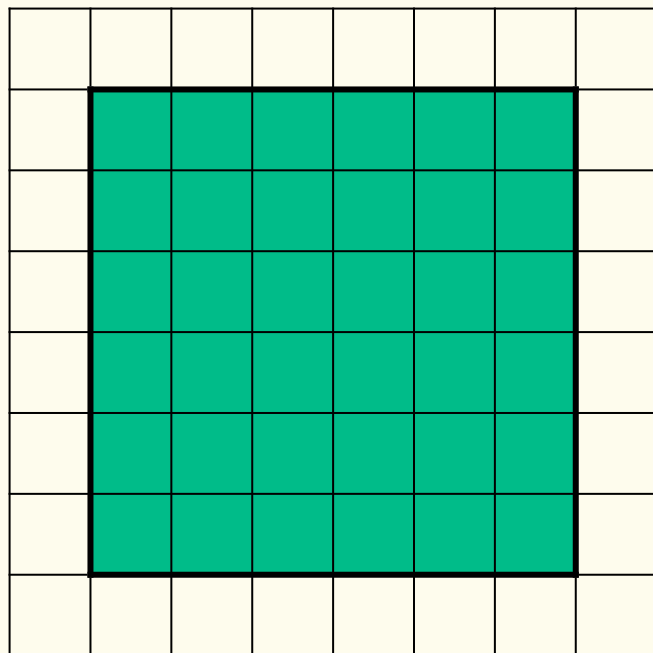


To know how to calculate perimeter from given information

**Guided Practice:**

**Draw one rectangle, one square and one composite rectilinear shape with a perimeter of 24cm.**

Example answers:



Answers



To know how to calculate perimeter from given information

**Independent Practice:**

- 3.** How many of each shape can you make with a perimeter of 40cm?
- a.** Rectangles
  - b.** Squares
  - c.** Composite rectilinear shapes



To know how to calculate perimeter from given information

### **Light bulb challenge**

**Draw two composite rectilinear shapes and calculate their perimeters.**

Combine your shapes with a partner.

What are the similarities and differences between the shapes you have drawn?