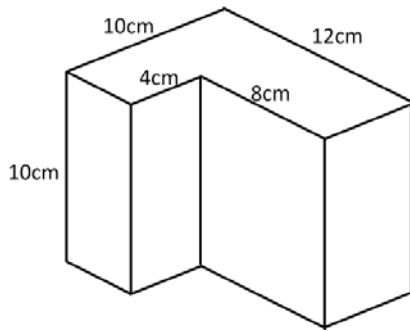


Calculate Volume and Capacity

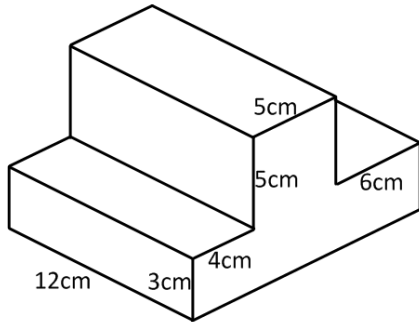


Calculate the volume of these solid shapes.

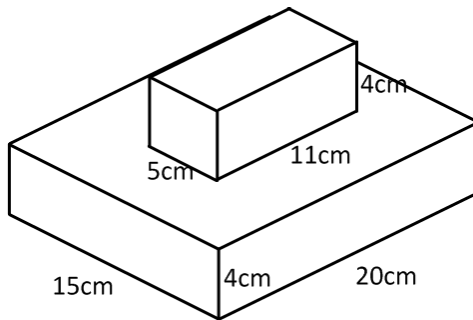
1.



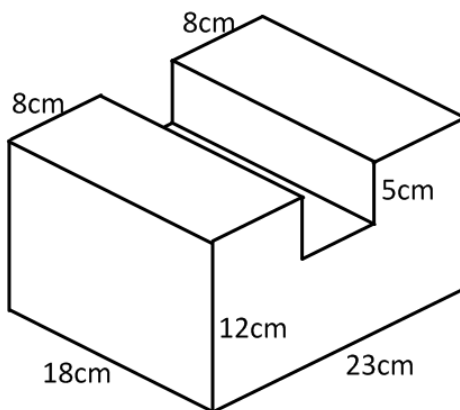
2.



3.



4.



$$1\text{cm}^3 = 1\text{ml}$$

If the above shapes were filled with water what would their capacities be in:

- Millilitres?
- Litres?