

Universal Church

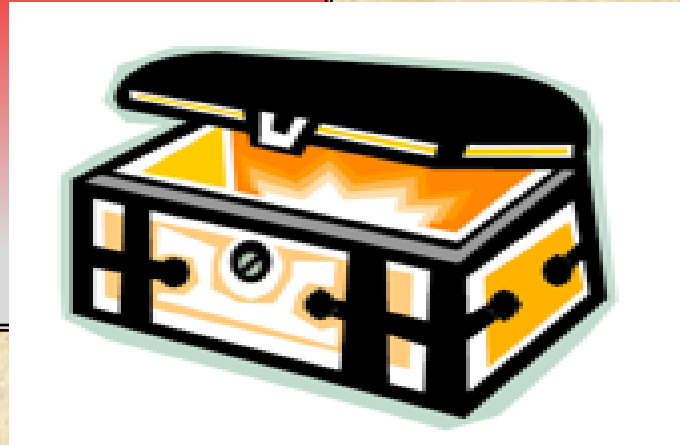
Treasures

# Explore

## What do you treasure?

Take the time to think about things you treasure. It could include:

- family/friends
- favourite places
- photographs of these
- special objects
- gifts

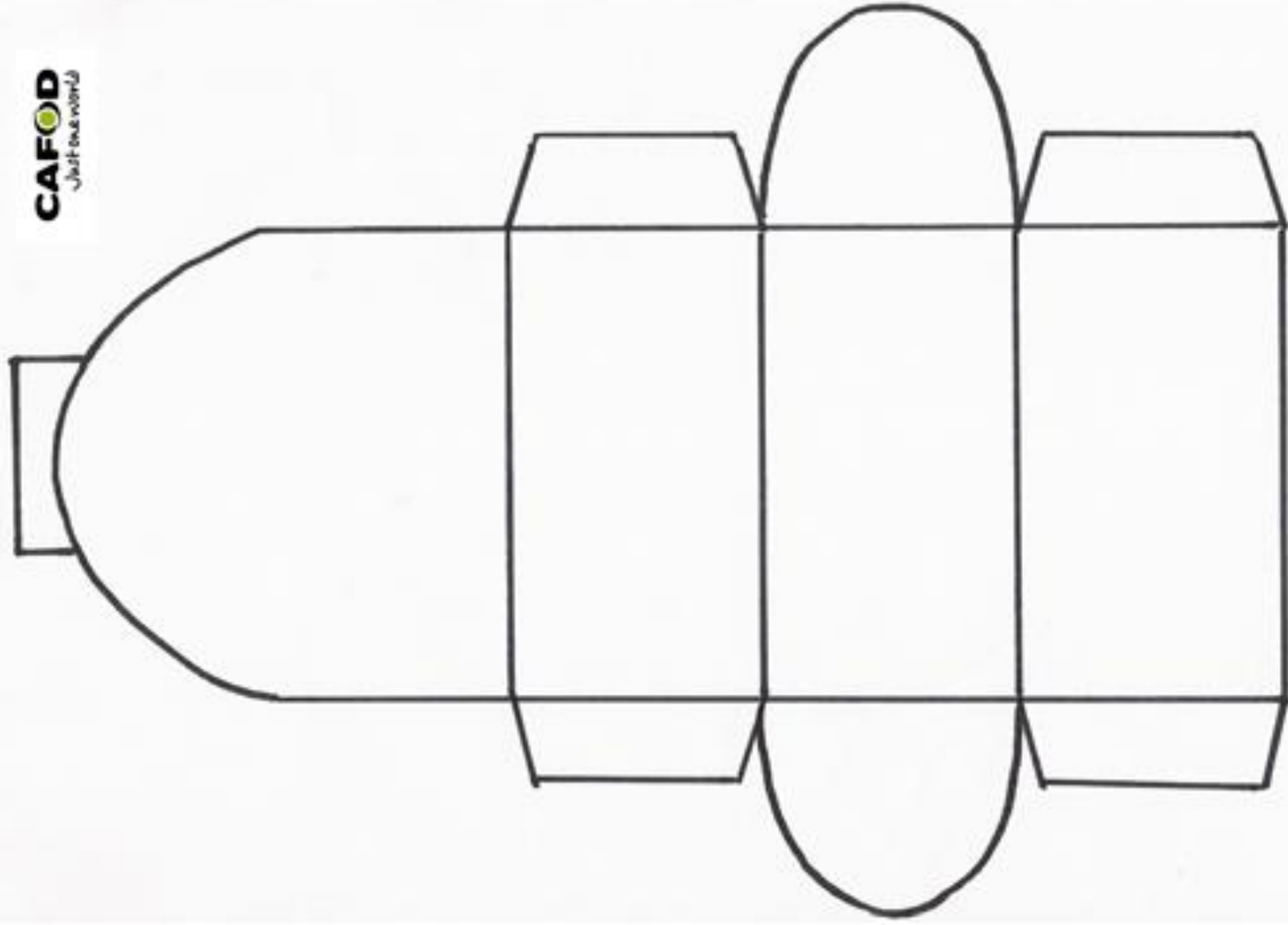


### Key Questions

- How did you feel when you received the treasure?
- What did you say to the person who gave you the gift?
- What did you do with the gift?
- What treasures do we share?
- How should we treat the treasures of this earth?

### Your task:

Using the template on the next page or by decorating a shoe box/small box make your own treasure chest. You could even use your own Pandora's box if you made one. Place the things you treasure inside it. There will be things you can't put in the box. Instead you could draw these or take photographs.



# Reveal- The World is a Treasure

Created the world as a treasure for us all to share. What can you remember about the Creation Story?

Read the scripture then think about the following questions.

## Key Questions

What did you like most about this story? Why?

What does it tell us about how God felt about the world?

What do you think God may feel about the world now?

## **The world is a treasure** (based on Genesis 1:3,9,20,24-26)

God said, "Let there be light," and there was the sun.

God said, "Let there be water," and there were the seas.

God said, "Let the seas be filled with living creatures and the skies be filled with flying creatures." And they were.

God said, "Let the earth be filled with animals," and so it was.

God saw that it was good.

So then God created men and women who would love and care for the world.

God looked at all creation and it was very good.



# Reveal– God's world is a precious treasure

God's world is a precious treasure created for us.

Look out of your window, or go outside, have a look around and think about all of the beauty that God created.

Think about what amazes you and what you wonder.

Now read the psalm below.

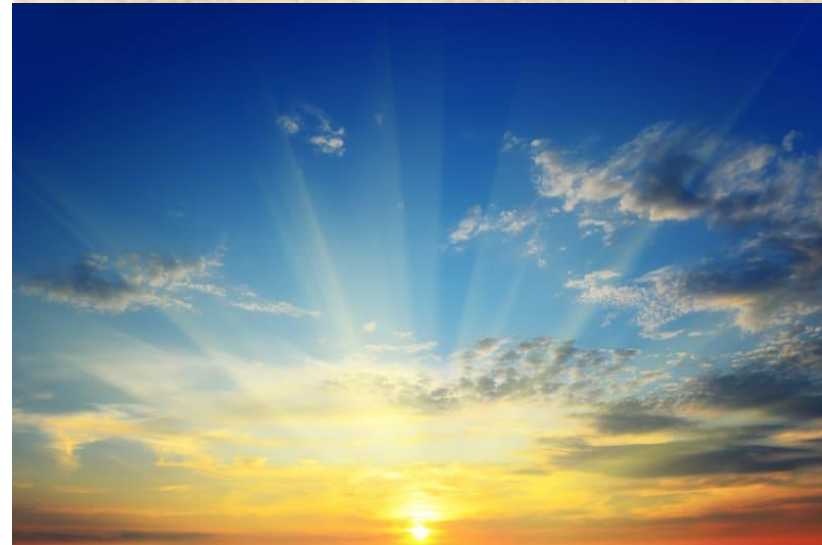
We praise you God.

Each day the sun rises high in the sky  
to give us light and warmth.

Words are not needed to tell us how  
wonderful you are; the silent message  
reaches everyone, everywhere.

We are full of joy  
as each new day begins.

(based on Psalm 19:1-5)





## Key Questions

Why is God's world precious?

Who is it for?

What makes us happy with God's world?

What do you think the *silent* message is?

## Your task:

Read the statements on the following page.

Think about which are good things and things we should be doing to look after the world. These should go in the treasure chest. Things that we shouldn't do if we want to look after God's world need to go in the rubbish bin.

Challenge- Can you think of your own treasure chest and rubbish bin statements?





The fish swim in the seas, the tigers roar in the jungles and the stars twinkle in the sky.

These trees look useful, I could chop down one or two of these to burn on a fire and keep me warm.

People are peaceful and happy.

The plants grow, the flowers open and the birds sing in the trees.

Use both sides of a piece of paper.

People have quarrels and angry words.

Catch lots of fish to eat and if there are some left over I could throw them away.

Turn the tap off when I am brushing my teeth.

Have a long soak in a bath full of water twice a day.

Remember to switch things off when I've stopped using them.

Have a picnic and leave the rubbish for someone else to clean up.

Think about other people; share your money and the things you own.





# Reveal - we are God's treasure

Read the psalm and then think about the questions.

**Jesus said, "Just think about the wild flowers. Not even Solomon, the greatest king our people ever had was dressed as beautifully as one of these flowers."**

**God clothes these wild flowers so beautifully, flowers which are here today and gone tomorrow, burned up in the heat of the sun.**

**You can be sure that God will take even greater care of you. Never be upset or worried, God your Father knows all your needs and will take care of you.**

(based on Luke 12:27-28, 29-30)

## Key Questions

What was Jesus asking us to think about?

Does everything last forever?

Why did Jesus say never be upset or worried?

How does God look after us?

Why does God look after us?

How does God look after YOU?

Why do YOU feel happy?



# Reveal- value of God's treasure- water

We are now going to find out about a girl called Zimi. She appreciates and values the precious treasure of water in God's world.




Hi! 

My **name** is **Zimi**.

I am 10.

I live in a **village**  
in **Zimbabwe**.

I **live** with my  
**Aunt** because my  
**mum died** a  
few years ago.

I **feel sad** when  
I remember my  
mum but Auntie  
Judith **cares** for  
me well. 

I am **happy** to live  
here with my **family**.





I think **water**  
is very  
**precious**.

In my **village**  
there is **little rain**.



When the **wells**  
had no **water** we  
had to **travel** for  
**hours** to fetch  
water from  
another **village**.



I get a lot of  
**nosebleeds** and  
if **water** isn't  
available, how do  
I **clean** my **face**?

If we **don't have**  
**water** we can't  
**wash** our **hands**  
after break and  
our **exercise books**  
get **covered** in  
**sand** and **dirt**.







CAFOD helped to fix the wells.

Now we have clean water.

CAFOD also helped to put toilets in my home and school.



I think water is very precious and important in life because without water you cannot survive.

Living in a place without water is very hard.

Now the wells are working, I have more time to do things I like.

Before, I would spend most of my spare time fetching water.

Now I have time for fun stuff.



### Key Questions

Where did Zimi get her water from?

How has CAFOD helped?

Why is water a precious treasure for Zimi?

How has having clean water helped Zimi?

What can we learn about treasures from Zimi's story?

How should we treat God's precious treasure of water?



It is **good** to **work**  
with **others** and  
**share water**.

**Water** is not  
something that  
**one person** should  
**own**, it is  
for **everybody**  
to **share**.



## Your task:

Think about how you use water and what you could do to save water.

Create a poster to show:

-different uses of water

OR

-ways to save water



# Reveal– giving thanks and praise

Read the psalm below. If you are sharing it with an adult, you can both/all join in with the response.

## Sing a psalm to God

Let's sing a psalm to our God.

It is good to give joyful praise.

Do you know how many stars are in the sky?

God does.

God made them all and gave each one a name.

*R.* How loving, how powerful, how wise God is! Let's sing praise, sing praise, sing praise!

God hides the bright blue sky behind the clouds,  
lets the rain fall upon the earth.

God makes the grass grow on the hills and in the fields,  
gives plants for us to eat.

God feeds the animals and the birds too,  
when they are hungry.

God cares for and looks after all that lives.

*R.* How loving, how powerful, how wise God is!  
Let's sing praise, sing praise, sing praise!

God sends snow soft as wool,

Sprinkles frost white like powder.

God spreads the ice on the water,

Makes the world so beautiful, so cold.

Then God sends warm air and the wind begins to blow.

The snow, frost and ice melt, the streams and rivers flow.

*R.* How loving, how powerful, how wise God is!  
Let's sing praise, sing praise, sing praise!  
(based on Psalm 147:4-5,8-9,15-18)

*God made the earth and sky. God made all the people all over the world. God made spiders and dogs and butterflies and tigers and pandas and all other animals. God made the tulips, the trees, the tomatoes and all the plants. And, God tells us we must take good care of them. It is an important job.*

(The Principles of Catholic Social Teaching for Kids – Anne E. Neuberger 2005)

### Key Questions

What are we praising God for?

Why is God's world a treasure?

How would you give thanks for God's treasure?

What can you do to care for and protect God's treasure – the world?

### Your task:

Using your answers to the above questions, write your own prayer to God asking God to help you look after and protect his world each day of the week.

Use the below structure to help you:

On Monday Lord help me to...

On Tuesday Lord help me to..



# Respond

Now that you have explored this topic, listen to some quiet music and spend some time recording the key things you want to remember.

As you listen to the music, think about these questions:

*Who made you?*

*Why is God's creation so wonderful?*

*What do you treasure and why?*

***Our Big Question—Is the world a treasure?***

You may want to listen to the following song- 'What a Wonderful World'

<https://www.youtube.com/watch?v=A3yCcXgbKrE>

Then, with your family, take part in a worship, using the resources on the following slides to help you.

# Gather

Begin by setting up your own prayer focus.

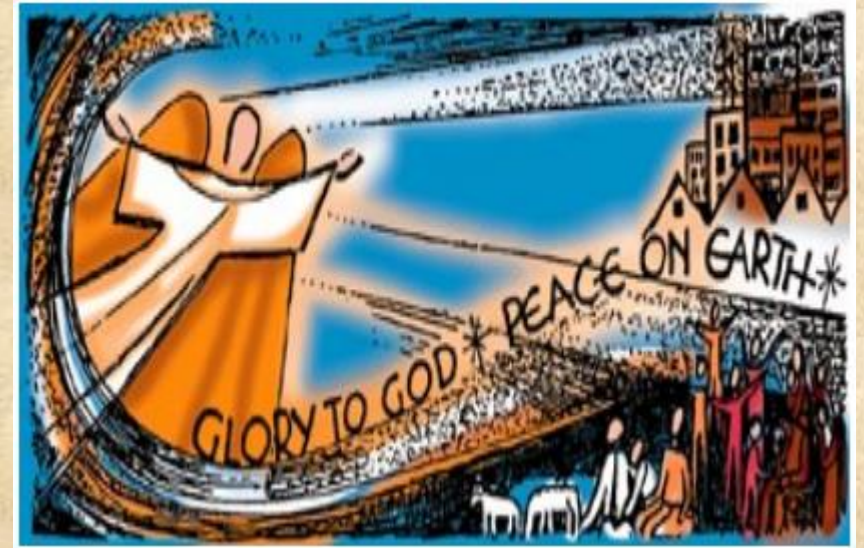
This should include:

- A candle
- A cross
- A bible
- Any work you have completed during the topic

(If you don't have a candle or cross, you could draw a picture or make one. If you don't have a bible, you could print or have some scripture in front of you)

Whilst setting this up think about the importance of each item.

Once your prayer focus is ready, light the candle and begin by making the sign of the cross.



# Word

***A reading from the Holy Gospel according to Matthew.***

***Glory to you O Lord***

*The Kingdom of heaven is like this. A man happens to find a treasure hidden in a field. He covers it up again, and is so happy that he goes and sells everything he has, and then goes back and buys that field.*

***The Gospel of the Lord.***

***Praise to you Lord Jesus Christ***

Alternatively you can watch a video of the story...

[https://youtu.be/mKwq3VwH9\\_w](https://youtu.be/mKwq3VwH9_w)





# Respond

God and the Kingdom of heaven are the **greatest** treasures that we could ever find.

The man in the Parable who discovers the buried treasure had to sell everything that he owned to make sure that he could have the treasure.

This is like us in our lives, we have to do **everything** that we can to find our greatest treasures.

We become closer to God and God's kingdom by being like Jesus

Think about how we can be more like Jesus.

Could we be kind to other people?

Could we share things with others?

Could we help people when they need a friend?

We must try really hard to be like Jesus all the time so that we can have the treasure in our lives.



Say this prayer together:

Please help us Lord to live in the right way and to do good things.

Help us to always show love to the people we meet and to our brothers and sisters all over the world.

Amen.

# Going Forth

What can I do to care for and protect God's  
treasure - the world?

Write or draw in the space below.



End your worship with the  
sign of the cross.