

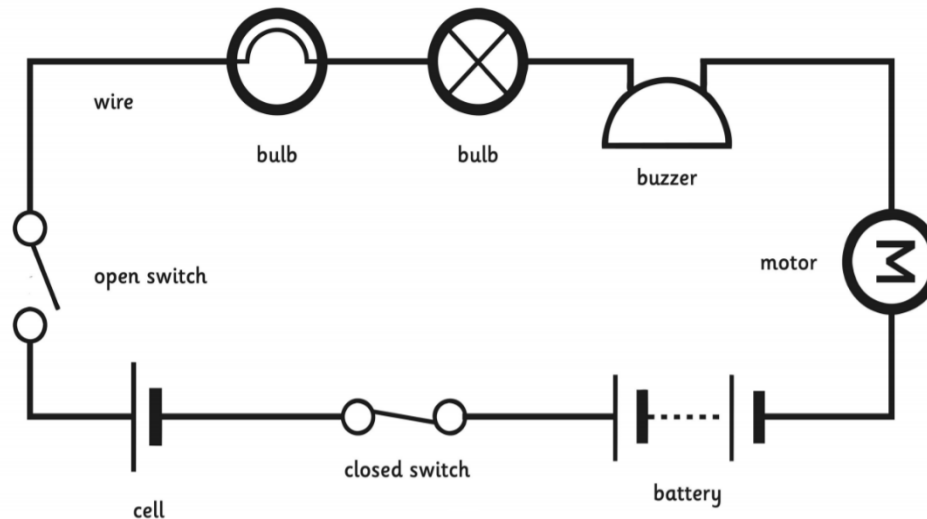
St Matthew's C.E. Primary School

Knowledge Organiser

What should I already know ?

- know electricity can be dangerous
- have explored a range of battery powered devices

Scientific Circuit Symbols Mat



Year 4 - Sparks Might Fly

Key Vocabulary

Bulb – a source of light

Buzzer – an electrical device that make a buzzing noise

Cell – a device to generate electricity

Conductor – a material that allows electricity to pass through it.

Electrical Circuit – a path or line through which an electrical current flows.

Insulator – A material that does not allow electricity to pass through it.

Lighthouse – a tall building with a light that warns or guides ships.

Motor – a machine that produces motion or power

Switch – A device for making and breaking the connection in an electric circuit.

Key Questions

What do we use electricity for?

What if we had no electricity?

Could we survive without electricity?

Why can electricity be dangerous?

How can we make a light bulb work?

Can you make a simple switch to turn a light on and off?

What materials allow electricity to flow through them?

Why does this circuit not work?

What does a lighthouse do?

What materials will you make the lighthouse from?

How will you make the light work in the lighthouse?

How will you put the light into your lighthouse?