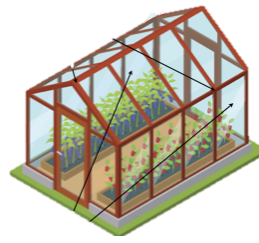


Year 4 – Mini Greenhouses



St Stephen's Kearsley Moor
CE Primary School
Believe and Achieve

Key Vocabulary

Greenhouse	A building used to grow plants such as fruit and vegetables.
Stable Structure	A structure that is not likely to fall over.
Transparent	Something that can be seen through clearly.
Ventilate	To allow fresh air to enter and circulate an area, e.g. opening a window.
Stabilise	To make something strengthen or support something.
Plastic	This material is lightweight, flexible and strong, but it can be broken easily.
Glass	Usually a transparent material, it is hard, strong but brittle.

Design and Make a Mini Greenhouse

Golden Threads



Stable
Structure



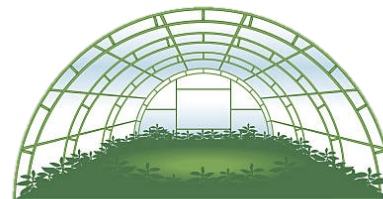
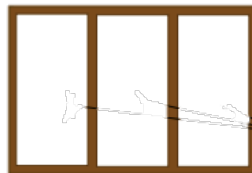
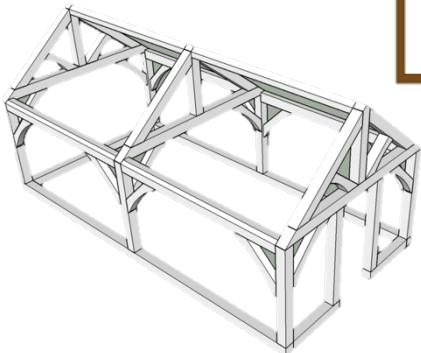
Sticky Knowledge:

A structure is **stable** if it is not likely to fall over or collapse.

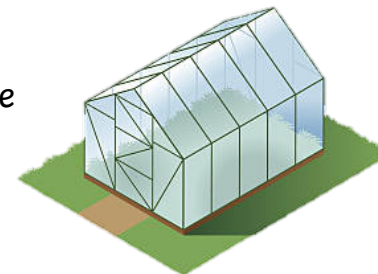
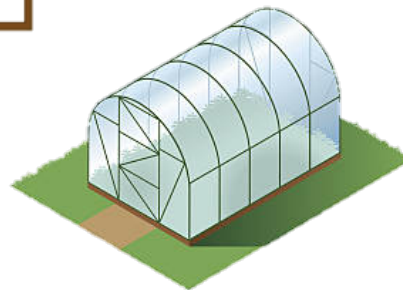
The **stability** of a structure depends on the materials it is made from and the shape it is.

A **Greenhouse** is a building used to protect plants from cold weather and harmful insects. Greenhouses are mostly made from **transparent** materials. This means sunlight can shine through and warm both the air and the plants inside.

Creating a strong frame to support less stable materials.



The wider the base of the greenhouse, the more stable it will be.



Using transparent materials to allow the maximum amount of sunlight through.

