

Friday

Roman Numerals

IXL—C.10 to help with Roman Numerals

I	1	XX	20
II	2	XXX	30
III	3	XL	40
IV	4	L	50
V	5	LX	60
VI	6	LXX	70
VII	7	LXXX	80
VIII	8	XC	90
IX	9	C	100
X	10	D	500
	M		1000

If the larger number symbol is followed by a smaller number symbol you must add the two together. You also add if the two symbols are the same.

For example:

$$\mathbf{XI} = 10 + 1 = 11$$

If a smaller number symbol is followed by a larger number symbol you must subtract the small number from the large one.

For example:

$$9 = 10 - 1 = \mathbf{IX}$$

Task 1 – Use the tips above to help you match the number to the correct Roman Numeral.

Match the roman numerals to the correct numbers.

1

VI

2

III

3

X

4

VII

5

II

6

IV

7

VIII

8

IX

9

I

10

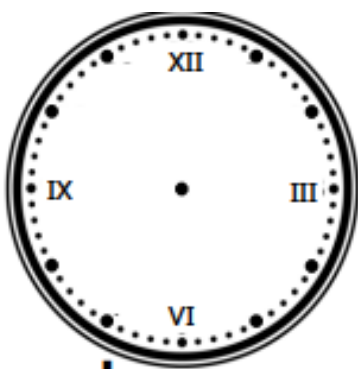
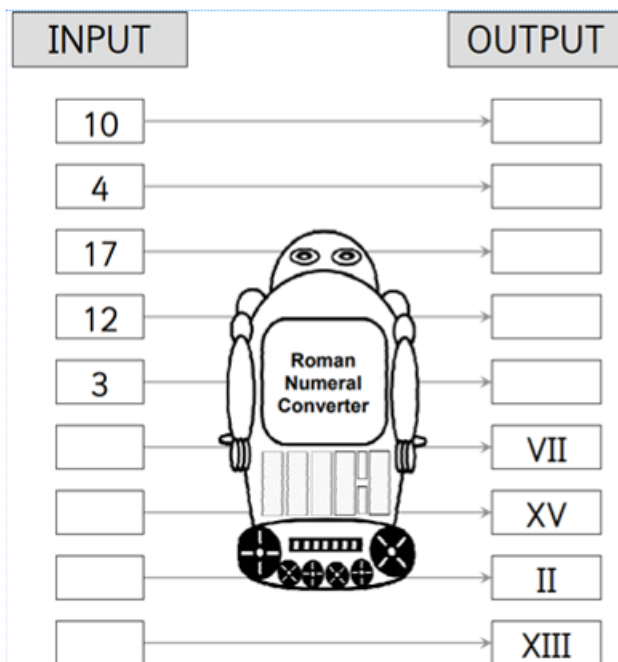
V



Task 2 — Using the rules from the first page, work out the Roman Numeral for each number.

1	2	3	4	5
I	II	III		
6	7	8	9	10
11	12	13	14	15
16	17	18	19	20

Task 3 — Convert the number to Roman Numerals.



Task 4:

What Roman Numerals are shown on this clock face?

Are the values shown different to a normal clock face?

Fill in the missing numbers, using Roman Numerals, on the clock.

Task 5 — Roman Numerals to numbers then complete the calculations.

1. VIII + IX =	11. VIII - I =
2. VII - III =	12. IV + XI =
3. II + IX =	13. VIII - III =
4. XII - II =	14. X + VII =
5. II + XVII =	15. XIX - XII =

Challenge—Using the colour key on the side you are to convert the Roman Numerals to numbers and then colour in that area using the right colour. If you don't have the same colours then replace it with one of your choice.

Roman Numeral Colour By Numbers

Key

- 2 - yellow/gold
- 3 - light brown
- 5 - purple
- 7 - pink
- 10 - red
- 9 - dark brown
- 8 - green

