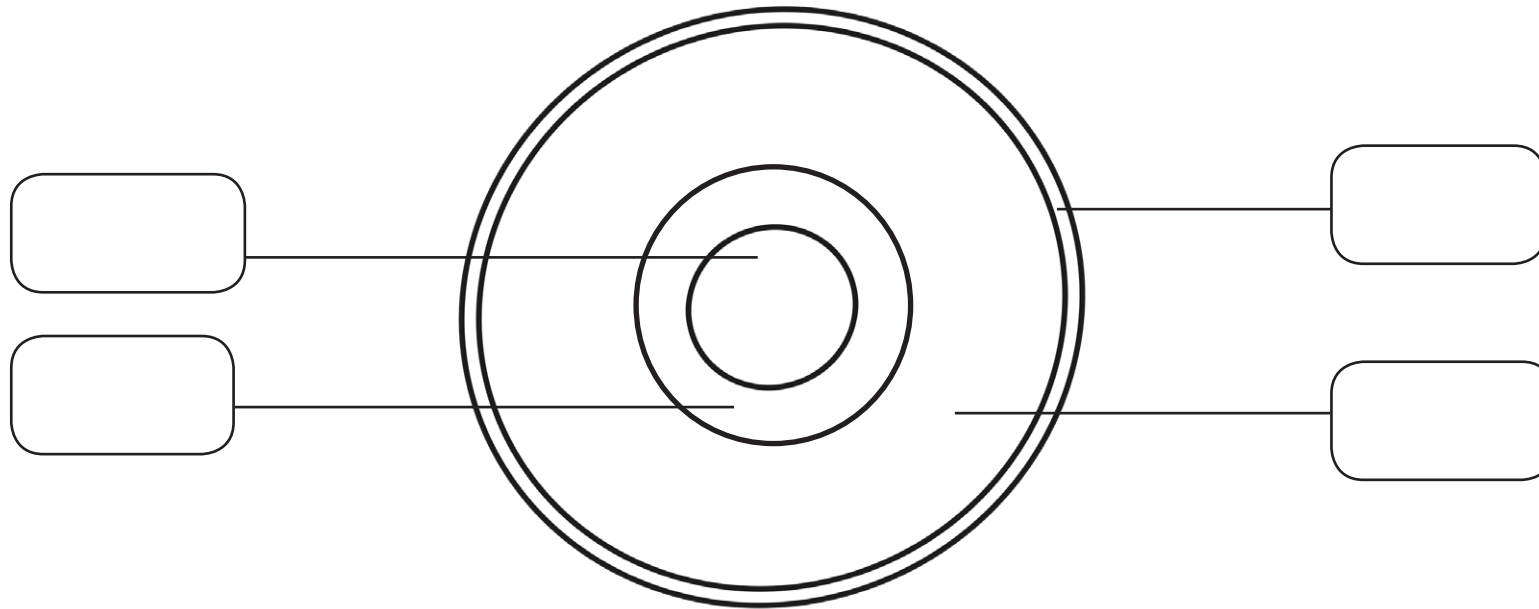


Layers of the Earth

Colour, label and describe each layer below.



Crust: _____

Mantle: _____

Outer core: _____

Inner core: _____

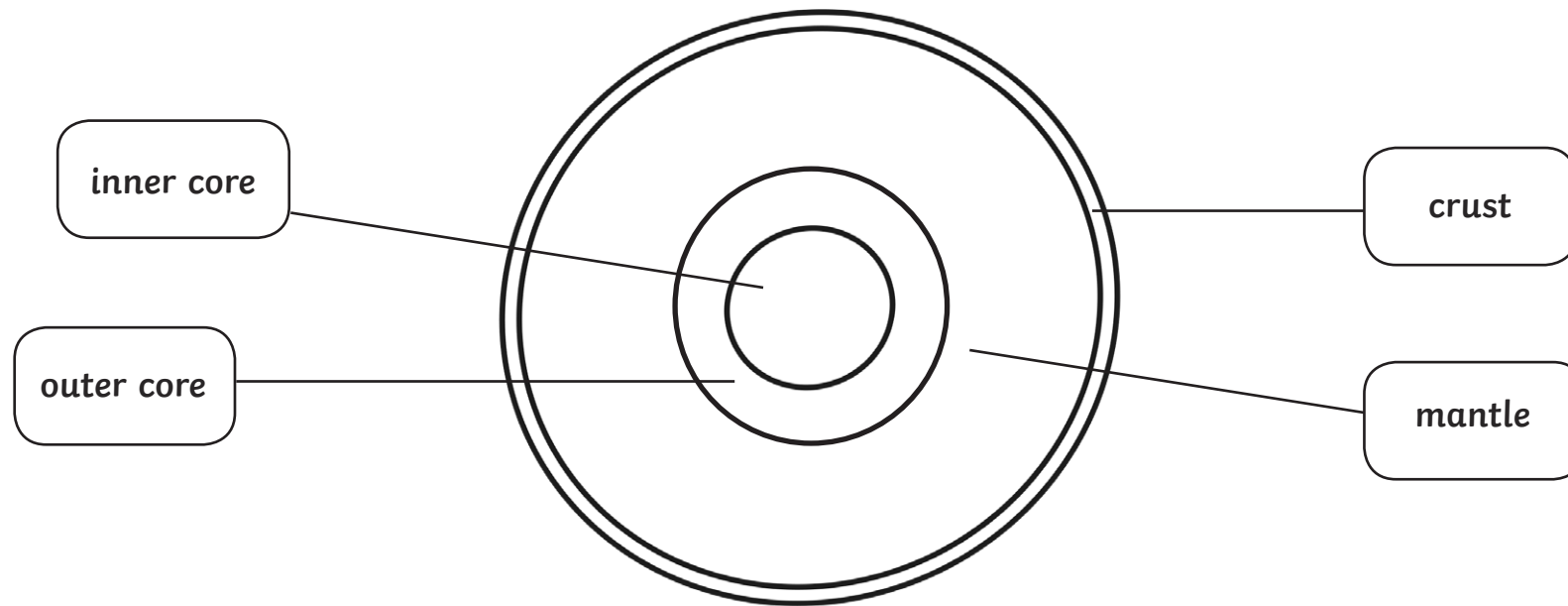
Extension



Explore this resource using amazing augmented reality! Simply scan this code with any device running iOS 12 or later. For further information, please visit our FAQ page at www.twinkl.co.uk/help/twinkl-apps.

Layers of the Earth Answers

Colour, label and describe each layer below.



Crust: The outer layer of the Earth. The crust is mostly made up of rocks and minerals.

Mantle: This layer is a lot thicker than the crust. It is made up of melted rocks.

Outer core: This layer is liquid and made mostly from iron and nickel.

Inner core: This is the very centre of the Earth. It is made of solid metal and is the hottest layer.